



REFRIGERATOR USER INSTRUCTIONS

Table of Contents

REFRIGERATOR SAFETY	2	REFRIGERATOR USE	12
Proper Disposal of Your Old Refrigerator	3	Using the Controls	12
INSTALLATION INSTRUCTIONS	3	Convertible Drawer Temperature Control	14
Unpack the Refrigerator	3	Crisper Humidity Control	14
Door Removal, Leveling and Alignment	4	Chilled Door Bin	14
Handle Installation and Removal	6	Water and Ice Dispensers	14
Product Dimensions	7	Ice Maker and Storage Bin	15
Location Requirements	9	Water Filtration System	16
Electrical Requirements	9	REFRIGERATOR CARE	17
Water Supply Requirements	10	Cleaning	17
Connect Water Supply	10	Lights	17
Install Air Filter	12	PROBLEM SOLVER	18
		ACCESSORIES	23
		ASSISTANCE OR SERVICE	23

REFRIGERATOR SAFETY

Your safety and the safety of others are very important.

We have provided many important safety messages in this manual and on your appliance. Always read and obey all safety messages.



This is the safety alert symbol.

This symbol alerts you to potential hazards that can kill or hurt you and others.

All safety messages will follow the safety alert symbol and either the word "DANGER" or "WARNING." These words mean:

 **DANGER**

You can be killed or seriously injured if you don't immediately follow instructions.

 **WARNING**

You can be killed or seriously injured if you don't follow instructions.

All safety messages will tell you what the potential hazard is, tell you how to reduce the chance of injury, and tell you what can happen if the instructions are not followed.

IMPORTANT SAFETY INSTRUCTIONS

WARNING: To reduce the risk of fire, electric shock, or injury when using your refrigerator, follow these basic precautions:

- Plug into a grounded (earthed) outlet.
- Do not remove ground prong.
- Do not use an adapter.
- Do not use an extension cord.
- Disconnect power before servicing.
- Replace all parts and panels before operating.
- Remove doors from your old refrigerator.
- Use nonflammable cleaner.
- Keep flammable materials and vapors, such as gasoline, away from refrigerator.
- Use two or more people to move and install refrigerator.
- Disconnect power before installing ice maker (on ice maker kit ready models only).
- A qualified service technician must install the water line and ice maker.
- Use a sturdy glass when dispensing ice (on some models).
- This appliance is not intended for use by persons (including children) with reduced physical, sensory or mental capabilities, or lack of experience and knowledge, unless they have been given supervision or instruction concerning use of the appliance by a person responsible for their safety.
- Children should be supervised to ensure that they do not play with the appliance.
- If the power supply cord is damaged, it must be replaced by the manufacturer or its service agent or a similarly qualified person in order to avoid a hazard.
- Do not store explosive substances, such as aerosol cans with a flammable propellant, in this appliance.
- This appliance is intended to be used in household and similar applications such as: staff kitchen areas in shops, offices and other working environments; farm houses and by clients in hotels, motels and other residential type environments; bed and breakfast type environments; and catering and similar non-retail applications.

SAVE THESE INSTRUCTIONS

Proper Disposal of Your Old Refrigerator

⚠️ WARNING

Suffocation Hazard

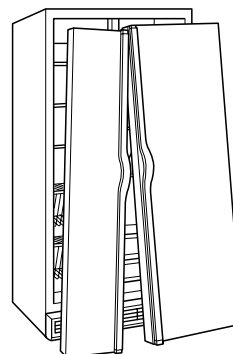
Remove doors from your old refrigerator.

Failure to do so can result in death or brain damage.

IMPORTANT: Child entrapment and suffocation are not problems of the past. Junked or abandoned refrigerators are still dangerous – even if they will sit for “just a few days.” If you are getting rid of your old refrigerator, please follow these instructions to help prevent accidents.

Before You Throw Away Your Old Refrigerator or Freezer:

- Take off the doors.
- Leave the shelves in place so that children may not easily climb inside.



INSTALLATION INSTRUCTIONS

Unpack the Refrigerator

⚠️ WARNING

Excessive Weight Hazard

Use two or more people to move and install refrigerator.

Failure to do so can result in back or other injury.

Remove packaging materials. Do not use sharp instruments, rubbing alcohol, flammable fluids, or abrasive cleaners to remove tape or glue. These products can damage the surface of your refrigerator. For more information, see “Refrigerator Safety.”

When Moving Your Refrigerator:

Your refrigerator is heavy. When moving the refrigerator for cleaning or service, be sure to cover the floor with cardboard or hardboard to avoid floor damage. Always pull the refrigerator straight out when moving it. Do not wiggle or “walk” the refrigerator when trying to move it, as floor damage could occur.

Important information to know about glass shelves and covers:

Do not clean glass shelves or covers with warm water when they are cold. Shelves and covers may break if exposed to sudden temperature changes or impact, such as bumping. Tempered glass is designed to shatter into many small, pebble-size pieces. This is normal. Glass shelves and covers are heavy. Use both hands when removing them to avoid dropping.

Door Removal, Leveling and Alignment

Gather the required tools and parts and read all instructions before starting installation. Save these instructions for future reference.

NOTE: Before moving your product into your home, measure the doorway of your home to see whether you need to remove the refrigerator and freezer doors. If door removal is necessary, see the instructions below.

IMPORTANT: Before you begin, turn the refrigerator control OFF. Unplug refrigerator or disconnect power.

TOOLS NEEDED:

Phillips screwdriver, 3/16" hex key, 1/4" hex-head socket wrench, 1/4" and 5/16" open-ended wrenches or adjustable wrench, internal star drive or 3/8" hex-head socket wrench



⚠ WARNING

Electrical Shock Hazard

**Disconnect power before removing doors.
Failure to do so can result in death or electrical shock.**

3 Wiring Connection

A. Wiring Clip
B. Grommets
C. Wiring Plugs
D. Electrical Housing

4 Top Left Hinge

A. Do Not Remove Screws.

5 Door Removal

6 Top Right Hinge

A. Do Not Remove Screws.

7 Bottom Hinges (Left and Right)

A. Bottom Hinge
B. Leveler Bracket
C. Leveling Foot

8 Leveling

A. Bottom Hinge
B. Leveler Bracket
C. Leveling Foot

9 Door Alignment (Bottom Right Hinge)

A. Alignment Screw

1 Base Grille

Doors must be open to 90°

2A Water Dispenser Tubing Connection (Style 1)

A. Face of Fitting

2B Water Dispenser Tubing Connection (Style 2)

Remove the Doors

WARNING



Electrical Shock Hazard

Disconnect power before removing doors.

Failure to do so can result in death or electrical shock.

1. Unplug refrigerator or disconnect power.
2. Open both doors to 90°. Remove the base grille by removing the two screws, then pulling out on the outside corners. See *Graphic 1*.
NOTE: The doors must only be opened to 90°. If they are opened all the way, the base grille will not come off.
3. Remove food, the ice storage bin, and any adjustable door or utility bins from doors.
4. On dispenser models: Disconnect the water tubing, located behind the base grille on the freezer door side. The dispenser tubing runs through the door hinge, and must be disconnected in order to remove the door.
 - **Style 1:** Press the colored outer ring against the face of fitting and pull the water tubing free. See *Graphic 2A*.
NOTE: Keep the water tubing connector attached to the tube that runs underneath the freezer. The door cannot be removed if the connector is still attached to the tube that runs through the door hinge.
 - **Style 2:** Firmly pull on the clasp to release the tube, then pull the water tubing free. See *Graphic 2B*.
NOTE: Keep the clasp attached to the tube that runs underneath the freezer.
5. Disconnect the wiring, located behind the base grille on the freezer door side. See *Graphic 3*.
 - Remove the wiring clip using a 1/4" hex-head socket wrench.
 - Disconnect the wiring plugs from the electrical housing.
6. Close both doors and keep them closed until you are ready to lift them free from the cabinet.
7. Use a 3/16" hex key to remove the top left hinge screws as shown. See *Graphic 4*.
IMPORTANT: Do not remove either screw A.
8. Use an internal star drive or a 3/8" hex-head socket wrench to remove the bottom left hinge screws. See *Graphic 7*.
IMPORTANT: This requires two people — one to hold the freezer door in place and another to remove the hinge screws.
NOTE: A leveler bracket is mounted behind the bottom hinge. Make sure that the leveler bracket is replaced when reinstalling the hinge.

WARNING

Excessive Weight Hazard

Use two or more people to lift the freezer door.

Failure to do so can result in back or other injury.

9. Remove the freezer door. See *Graphic 5*. The water tubing (on dispenser models) and wiring remain attached to the freezer door, along with the bottom left hinge.
IMPORTANT: Rest the door on its side on a soft, clean surface, such as a towel, blanket or piece of cardboard. This will help avoid damaging the door, water tubing and wiring.
10. Use a 3/16" hex key to remove the top right hinge screws as shown. See *Graphic 6*.
IMPORTANT: Do not remove either screw A.
11. Lift the refrigerator door straight up off bottom hinge.
12. It may not be necessary to remove the bottom right hinge in order to move the refrigerator through a doorway.
 - If necessary, use an internal star drive or a 3/8" hex-head socket wrench to remove the bottom right hinge. See *Graphic 7*.
NOTE: A leveler bracket is mounted behind the bottom hinge. If you remove the hinge, make sure that the leveler bracket is replaced when reinstalling the hinge.

Replace the Doors and Hinges

1. Replace the bottom right hinge, if removed. Make sure that the leveler bracket is assembled behind the hinge. Tighten screws.
NOTE: When the screws are tightened properly, there should not be any gaps between the refrigerator, leveler bracket and hinge.
2. Hold the freezer door in place in order to replace the bottom left hinge. For easiest access, hold the door open 90°. Make sure that the leveler bracket is assembled behind the hinge. Tighten screws.
IMPORTANT: This requires two people — one to hold the freezer door and another to reinstall the hinge screws.
NOTE: When the screws are tightened properly, there should not be any gaps between the refrigerator, leveler bracket and hinge.
3. Once the bottom left hinge has been replaced, close the freezer door and make sure it is properly seated on the hinge. Assistance may be needed.
NOTE: Provide additional support for the doors while the top hinges are being replaced. Do not depend on the door magnets to hold the doors in place while you are working.
4. Align and replace the top left hinge as shown. See *Graphic 4*. Tighten screws.

WARNING

Excessive Weight Hazard

Use two or more people to lift the freezer door.

Failure to do so can result in back or other injury.

- Reconnect water tubing (on dispenser models) and wiring.
IMPORTANT: Do not intertwine the water tubing and wiring bundles when reconnecting them.

- On dispenser models, reconnect the water tubing.

Water Connection Style 1: Push the larger $\frac{5}{16}$ " (7.94 mm) water tube into the blue fitting until it stops, then push the smaller $\frac{1}{4}$ " (6.35 mm) water tube into the green fitting until it stops. See *Graphic 2A*.

Water Connection Style 2: Push the black water tube with the blue tip into the blue fitting until it stops. Close the clasp around the tubing, making sure it snaps into place. Repeat this process to connect the red-tipped black water tube and the red fitting. See *Graphic 2B*.

NOTE: On dispenser models with the ice storage bin on the freezer door, there are two wiring bundles that run underneath the freezer — a large bundle with a large grommet and two white plugs at the end, and a small bundle with a small grommet and one yellow plug at the end.

- Reconnect the wiring plugs to the electrical housing. See *Graphic 3*.
- Reinstall the wiring clip over the grommets. On dispenser models with the ice storage bin on the freezer door, first install the smaller grommet into the top of the clip, then install the larger grommet into the bottom of the clip (closest to the screw hole). See *Graphic 3*.
- Align the clip's screw hole with the hole in the refrigerator's base crossbar, and screw in the clip. Tighten screw. See *Graphic 3*.

IMPORTANT: Once connected, the wiring bundles should not be taut. Some flexibility is needed to allow the freezer door to open properly.

- Replace the refrigerator door by lifting the door onto the bottom right hinge.
- Align and replace the top right hinge as shown. See *Graphic 6*. Tighten screws.
- Replace the ice storage bin and any adjustable door or utility bins.
- Plug refrigerator into a grounded (earthed) outlet.

Leveling and Door Closing

Your refrigerator has two adjustable front feet — one on the right and one on the left. In most cases, the refrigerator should be steady when both feet are touching the floor. If your refrigerator seems unsteady or if you want the doors to close more easily, adjust the refrigerator's tilt using the instructions below:

- Move the refrigerator into its final location. If necessary, open both doors to 90° and remove the base grille. See *Graphic 1*.
- The two leveling feet are located on the brackets on each side of the product. See *Graphic 8*.

NOTE: Having someone push against the top of the refrigerator takes some weight off the leveling feet. This makes it easier to make adjustments.

- Use a $\frac{1}{4}$ " open-ended or adjustable wrench to adjust the leveling feet. Turn the leveling foot to the left to raise that side of the product, or turn it to the right to lower that side of the product.
- Open both doors again and check that they close as easily as you like. If not, tilt the refrigerator slightly more to the rear by turning the leveling feet to the left. It may take several more turns, and you should turn both leveling feet the same amount.

NOTE: Whenever you need to move the refrigerator, turn the leveling feet to the right until they are no longer touching the ground. This will allow the refrigerator to roll more easily.

Door Alignment

A refrigerator that is not level from side-to-side may appear to have doors that are not properly aligned. If the doors appear this way, use the instructions in the previous section to check the leveling.

The doors are designed to be slightly different heights when the refrigerator is empty, in order to account for the weight of food that will be placed on the doors. If the doors are still not aligned after checking the leveling and loading the refrigerator with food, follow the steps below to adjust the door alignment.

- If necessary, open both doors to 90° and remove the base grille. See *Graphic 1*.
- Locate the alignment screw on the bottom hinge of the refrigerator door. See *Graphic 9*.
- Use a $\frac{5}{16}$ " open-ended or adjustable wrench to turn the screw. To raise the refrigerator door, turn the screw to the right. To lower the door, turn the screw to the left.
- Check that the doors are even at the top. If necessary, continue to turn the alignment screw until the doors are aligned.
- Open both doors to 90°. Replace the base grille. See *Graphic 1*.

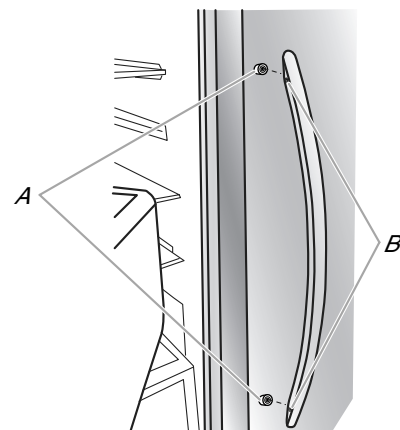
Handle Installation and Removal

PARTS INCLUDED: Door handles (2), $\frac{1}{8}$ " hex key, spare setscrew(s)

To Install the Handles:

NOTE: The handle mounting setscrews are preinstalled in the handle.

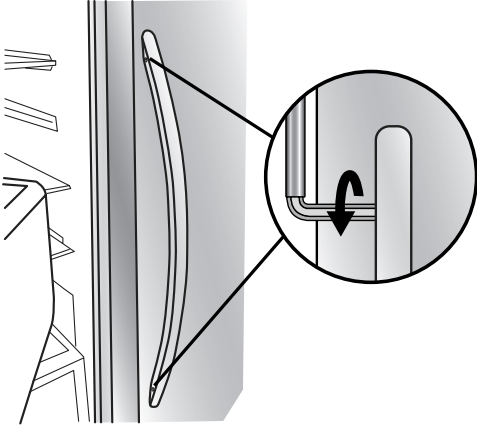
- Remove the handles, which are packed inside the refrigerator.
NOTE: To avoid scratching the finish, place the handles on a towel or other soft surface.
- Open the freezer door. On the refrigerator door, place the handle on the shoulder screws with the setscrews facing the freezer.



A. Shoulder screws
B. Setscrews inside the handle

- Firmly push the handle toward the door until the handle base is flush against the door.

- While holding the handle, insert the short end of the hex key into the upper hole and slightly rotate the hex key until it is engaged in the setscrew.



- Using a clockwise motion, tighten the setscrew until it begins to contact the shoulder screw.
- Repeat steps 4 and 5 to begin fastening the lower setscrew.
- Once both setscrews have been partially tightened as outlined in the previous steps, fully tighten both the upper and lower setscrews.

IMPORTANT: When the screws feel tight, tighten them an additional quarter-turn. The handle is not properly installed without this extra tightening.

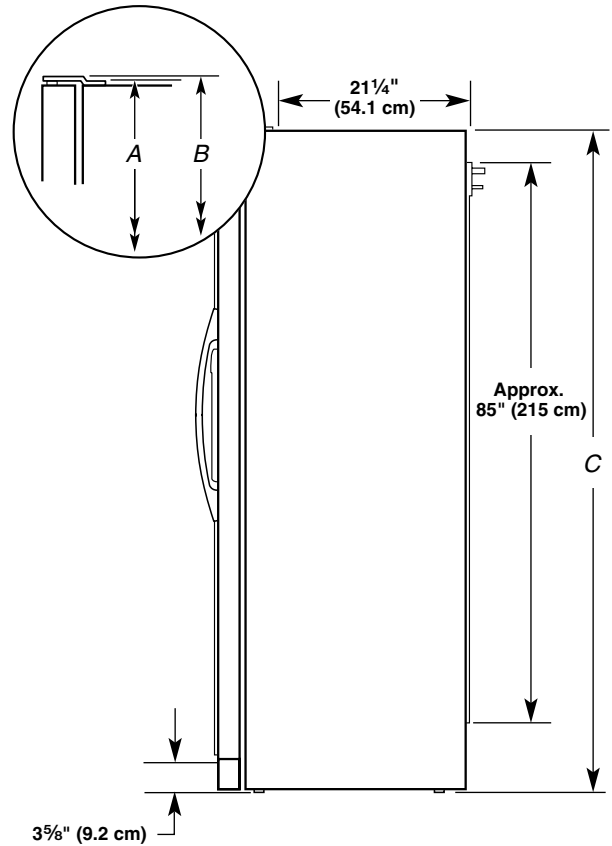
- Open the refrigerator door and close the freezer door. Repeat steps 2 through 7 to install the other handle onto the freezer door with the setscrews facing the refrigerator.
- Save the hex key and all instructions.

To Remove the Handles:

- While holding the handle, insert the short end of the hex key into the lower setscrew hole and slightly rotate the hex key until it is engaged in the setscrew.
- Using a counterclockwise motion, loosen the setscrew a quarter-turn at a time.
- Repeat steps 1 and 2 for the upper setscrew. Gently pull the handle away from the door.
- If necessary, use a Phillips screwdriver to remove the shoulder screws from the door.

Side View

- Height dimensions are shown with the leveling legs extended to the minimum height of 1/4" (6.35 mm) below the refrigerator.
- The power cord is approximately 85" (215 cm) long.

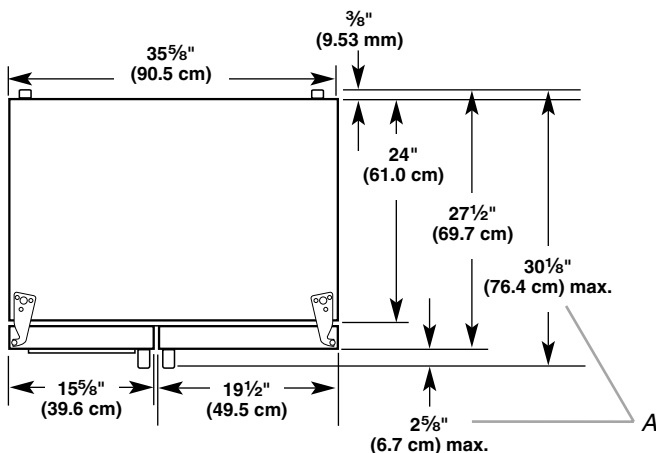


A	B	C
68 3/4" (174.6 cm)	68 7/8" (175.0 cm)	68 1/2" (174.0 cm)

When leveling legs are fully extended to 1" (25 mm) below the refrigerator, add 3/4" (19 mm) to the height dimensions.

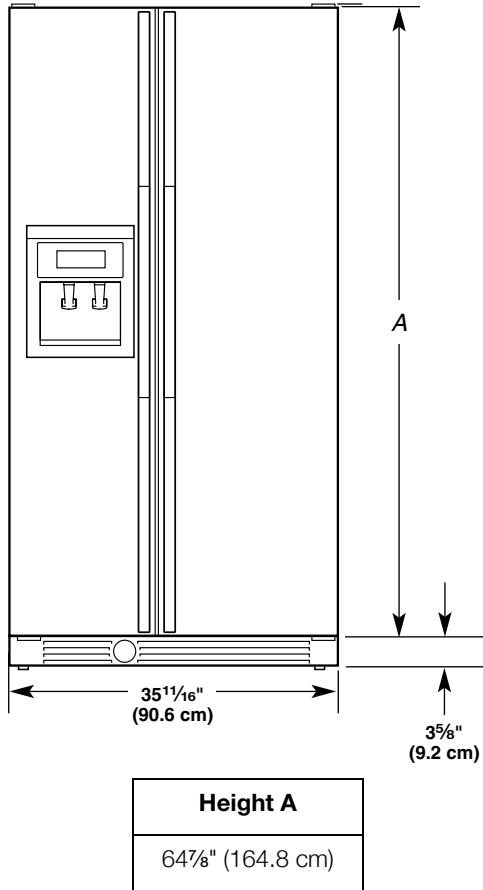
Product Dimensions

Top View



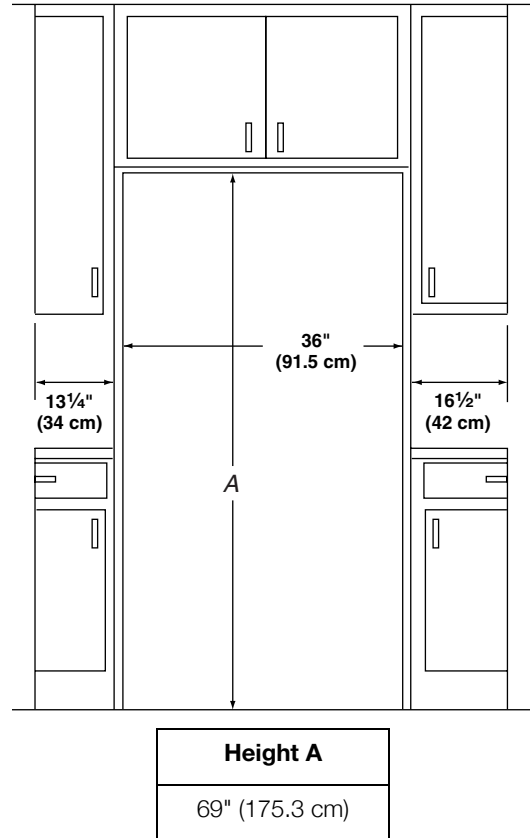
A. Dimensions may vary based on the model.

Front View



Opening Dimensions

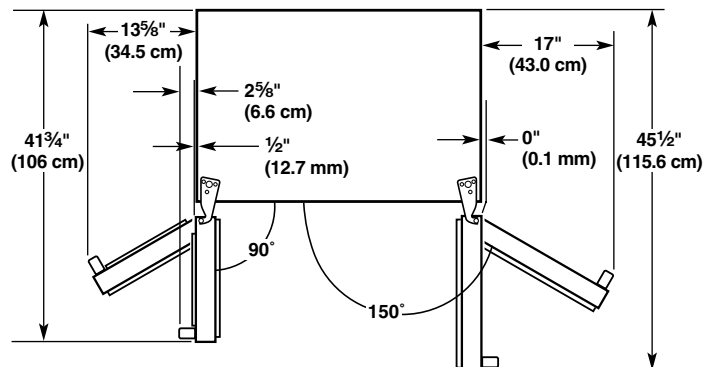
- Height dimensions are shown with the leveling legs extended to the minimum height of ¼" (6.35 mm) below the refrigerator.
- **NOTE:** When leveling legs are fully extended to 1" (25 mm) below the refrigerator, add ¾" (19 mm) to the height dimensions.
- Minimum fixed wall position is 13¼" (34 cm) from the freezer door and 16½" (42 cm) from the refrigerator door.



Door Swing Dimensions

Location must permit doors to open to a minimum of 150°. Allow 13¼" (34 cm) minimum space between the side wall and the freezer side of the refrigerator. Allow 16½" (42 cm) minimum space between the side wall and the refrigerator side.

NOTE: Dimensions may vary based on model.



Location Requirements

⚠ WARNING



Explosion Hazard

Keep flammable materials and vapors, such as gasoline, away from refrigerator.

Failure to do so can result in death, explosion, or fire.

NOTES:

- The cabinet depth refrigerator can be installed into a recessed opening, at the end of cabinets or as a freestanding refrigerator.
- If you are installing the refrigerator to fit flush with the front of the base cabinets, all shoe molding and baseboards must be removed from the rear of the refrigerator opening. Allow for 1" (2.54 cm) of space behind the refrigerator.
- Location should permit doors to open fully. See the "Door Swing Dimensions" section.
- This refrigerator is intended for use in a location where the temperature ranges from a minimum of 55°F (13°C) to a maximum of 110°F (43°C). The preferred room temperature range for optimum performance, which reduces electricity usage and provides superior cooling, is between 60°F (15°C) and 90°F (32°C). It is recommended that you do not install the refrigerator near a heat source, such as an oven or radiator.
- Floor must support refrigerator weight (more than 600 lbs [272 kg], door panels and contents).

Electrical Requirements

⚠ WARNING



Electrical Shock Hazard

Plug into a grounded (earthed) outlet.

Do not remove ground prong.

Do not use an adapter.

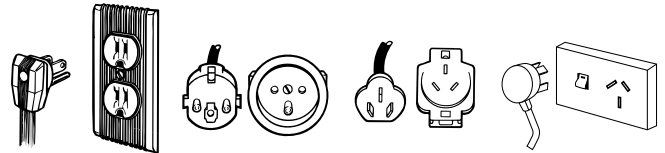
Do not use an extension cord.

Failure to follow these instructions can result in death, fire, or electrical shock.

Before you move your refrigerator into its final location, it is important to make sure you have the proper electrical connection:

Recommended Grounding Method

A 115 Volt 60 Hz. (Plug 1), 220/240 Volt 50 Hz. (Plugs 2 or 3), or 220 Volt 60 Hz. (Plug 3) AC only 10-amp fused and grounded (earthed) electrical supply is required.



Plug 1

Plug 2

Plug 3

Plug 4

It is recommended that a separate circuit serving only your refrigerator be provided. Use an outlet that cannot be turned off by a switch or pull chain. Do not use an extension cord.

⚠ WARNING



Electrical Shock Hazard

Disconnect power before servicing.

Replace all parts and panels before operating.

Failure to do so can result in death or electrical shock.

NOTE: Before performing any type of installation, cleaning, or removing a light bulb, turn the control, (Thermostat, Refrigerator or Freezer Control depending on the model) to OFF and then disconnect the refrigerator from the electrical source. When you are finished, reconnect the refrigerator to the electrical source and reset the control (Thermostat, Refrigerator or Freezer Control depending on the model) to the desired setting.

For Australia and New Zealand:

Your new appliance has been especially manufactured to meet all Australian Standards and Conditions.

Some notations in the installation instructions may refer to electrical requirements in other countries, so we draw your particular attention to these specific notes.

Your appliance needs to be plugged into a 230/240 Volt 50 Hz. 10-amp (Plug 4) AC only earthed outlet.

Water Supply Requirements (on some models)

Gather the required tools and parts before starting installation. Read and follow the instructions provided with any tools listed here.

TOOLS NEEDED:

- Flat-blade screwdriver
- 1/4" Nut driver
- 7/16" and 1/2" Open-end or two adjustable wrenches
- 1/4" Drill bit
- Cordless drill

NOTE: Your refrigerator dealer has a kit available with a 1/4" (6.35 mm) saddle-type shutoff valve, a union, and copper tubing. Before purchasing, make sure a saddle-type valve complies with your local plumbing codes. Do not use a piercing-type or 3/16" (4.76 mm) saddle valve which reduces water flow and clogs more easily.

IMPORTANT:

- All installations must meet local plumbing code requirements.
- Use copper tubing and check for leaks. Install copper tubing only in areas where the household temperatures will remain above freezing.

Water Pressure

A potable cold water supply with water pressure of between 30 and 87 psi (207 and 600 kPa) is required to operate the water dispenser and ice maker. If you have questions about your water pressure, call a licensed, qualified plumber.

Reverse Osmosis Water Supply

IMPORTANT: The pressure of the water supply coming out of a reverse osmosis system going to the water inlet valve of the refrigerator needs to be between 30 and 87 psi (207 and 600 kPa).

If a reverse osmosis water filtration system is connected to your cold water supply, the water pressure to the reverse osmosis system needs to be a minimum of 40 to 60 psi (276 to 414 kPa).

If the water pressure to the reverse osmosis system is less than 40 to 60 psi (276 to 414 kPa):

- Check to see whether the sediment filter in the reverse osmosis system is blocked. Replace the filter if necessary.
- Allow the storage tank on the reverse osmosis system to refill after heavy usage.
- If your refrigerator has a water filter, it may further reduce the water pressure when used in conjunction with a reverse osmosis system. Remove the water filter. See "Water Filtration System."

If you have questions about your water pressure, call a licensed, qualified plumber.

Connect Water Supply (on some models)

Read all directions before you begin.

IMPORTANT:

- Plumbing shall be installed in accordance with the International Plumbing Code and any local codes and ordinances.
- The gray water tubing on the back of the refrigerator (which is used to connect to the household water line) is a PEX (cross-linked polyethylene) tube. Copper and PEX tubing connections from the household water line to the refrigerator are acceptable, and will help avoid off-taste or odor in your ice or water. Check for leaks.

If PEX tubing is used instead of copper, we recommend the following Whirlpool Part Numbers:
W10505928RP (7 ft [2.14 m] jacketed PEX),
8212547RP (5 ft [1.52 m] PEX), or
W10267701RP (25 ft [7.62 m] PEX).

- Install tubing only in areas where temperatures will remain above freezing.
- For Australia and New Zealand: If water pressure exceeds 599 kPa (87 psi), a pressure-limiting device must be fitted by a licensed plumber.

Tools needed:

Gather the required tools and parts before starting installation.

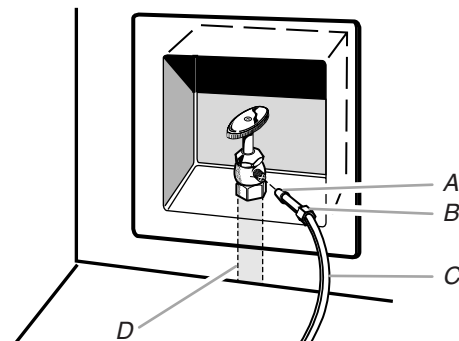
- Flat-blade screwdriver
- 7/16" and 1/2" open-end wrenches or two adjustable wrenches
- 1/4" nut driver

Connect to Water Line

IMPORTANT: If you turn the refrigerator on before the water line is connected, turn the ice maker OFF.

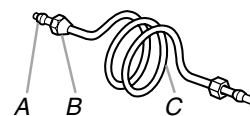
1. Unplug refrigerator or disconnect power.
2. Turn OFF main water supply. Turn ON nearest faucet long enough to clear line of water.
3. Use a quarter-turn shutoff valve or the equivalent, served by a 1/2" copper household supply line.

NOTE: To allow sufficient water flow to the refrigerator, a minimum 1/2" size copper household supply line is recommended.



A. Bulb
B. Nut
C. Copper tubing (to refrigerator)
D. Household supply line (1/2" minimum)

4. Now you are ready to connect the copper tubing to the shutoff valve. Use 1/4" (6.35 mm) OD soft copper tubing to connect the shutoff valve and the refrigerator.
 - Ensure that you have the proper length needed for the job. Be sure both ends of the copper tubing are cut square.
 - Slip compression sleeve and compression nut onto copper tubing as shown. Insert end of tubing into outlet end squarely as far as it will go. Screw compression nut onto outlet end with adjustable wrench. Do not overtighten.



A. Compression sleeve
B. Compression nut
C. Copper tubing

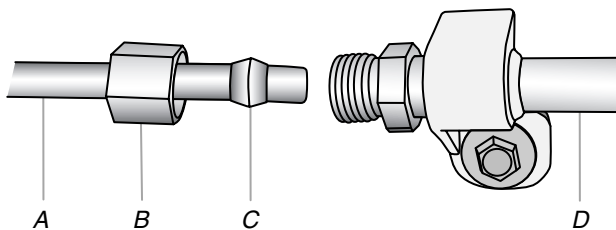
- Place the free end of the tubing into a container or sink, and turn on main water supply to flush out tubing until water is clear. Turn off shutoff valve on the water pipe.
NOTE: Always drain the water line before making the final connection to the inlet of the water valve, to avoid possible water valve malfunction.
- Bend the copper tubing to meet the water line inlet, which is located on the back of the refrigerator cabinet as shown. Leave a coil of copper tubing to allow the refrigerator to be pulled out of the cabinet or away from the wall for service.

Connect to Refrigerator

Style 1

- Unplug refrigerator or disconnect power.
- Remove and discard the short, black plastic part from the end of the water line inlet.
- Thread the nut onto the end of the tubing. Tighten the nut by hand. Then tighten it with a wrench two more turns. Do not overtighten.

NOTE: To avoid rattling, be sure the copper tubing does not touch the cabinet's side wall or other parts inside the cabinet.

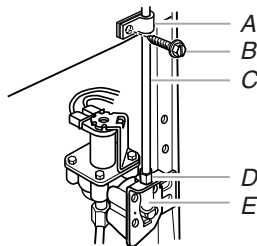


A. Household water line
B. Nut (purchased)
C. Ferrule (purchased)
D. Refrigerator water tubing

- Install the water supply tube clamp around the water supply line to reduce strain on the coupling.
- Turn shutoff valve ON.
- Check for leaks. Tighten any connections (including connections at the valve) or nuts that leak.

Style 2

- Unplug refrigerator or disconnect power.
- Remove and discard the plastic part that is attached to the inlet of the water valve.
- Attach the copper tube to the valve inlet using a compression nut and sleeve as shown. Tighten the compression nut. Do not overtighten.
- Use the tube clamp on the back of the refrigerator to secure the tubing to the refrigerator as shown. This will help avoid damage to the tubing when the refrigerator is pushed back against the wall.
- Turn shutoff valve ON.
- Check for leaks. Tighten any connections (including connections at the valve) or nuts that leak.



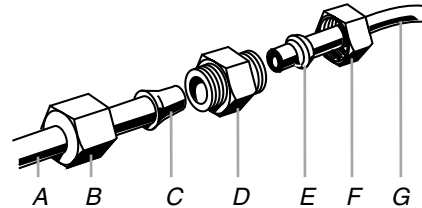
A. Tube clamp
B. Tube clamp screw
C. Copper tubing
D. Compression nut
E. Valve inlet

- On some models, the ice maker is equipped with a built-in water strainer. If your water conditions require a second water strainer, install it in the 1/4" (6.35 mm) water line at either tube connection. Obtain a water strainer from your nearest appliance dealer.

Style 3

- Unplug refrigerator or disconnect power.
- Remove and discard the black nylon plug from the gray water tube on the rear of the refrigerator.
- If the gray water tube supplied with the refrigerator is not long enough, a 1/4" x 1/4" (6.35 mm x 6.35 mm) coupling is needed in order to connect the water tubing to an existing household water line. Thread the provided nut onto the coupling on the end of the copper tubing.

NOTE: Tighten the nut by hand. Then tighten it with a wrench two more turns. Do not overtighten.



A. Refrigerator water tubing
B. Nut (provided)
C. Bulb
D. Coupling (purchased)
E. Ferrule (purchased)
F. Nut (purchased)
G. Household water line

- Turn shutoff valve ON.
- Check for leaks. Tighten any nuts or connections (including connections at the valve) that leak.

Style 4

- Unplug refrigerator or disconnect power.
- Connect the supplied hose to the water valve outlet on the back of the refrigerator.

Complete the Installation

⚠ WARNING



Electrical Shock Hazard

Plug into a grounded (earthed) outlet.

Do not remove ground prong.

Do not use an adapter.

Do not use an extension cord.

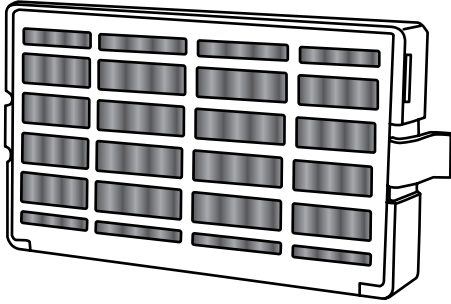
Failure to follow these instructions can result in death, fire, or electrical shock.

- Plug into a grounded (earthed) outlet.
- Flush the water system. See "Prepare the Water System" or "Water and Ice Dispensers."

NOTE: Allow 24 hours to produce the first batch of ice. Allow 3 days to completely fill ice container.

Install Air Filter (on some models)

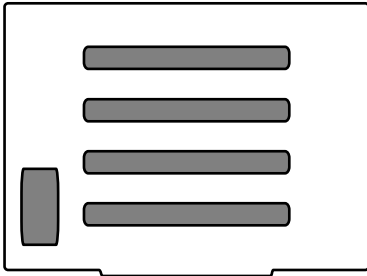
On some models, your refrigerator's accessory packet includes an air filter, which must be installed prior to use. On some models, the air filter is already installed at the factory.



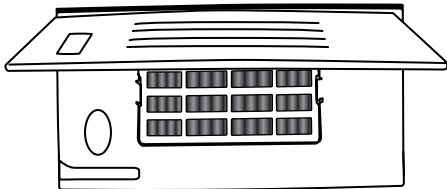
The air filter reduces the buildup of odors. This helps to maintain a cleaner environment inside the refrigerator.

Installing the Air Filter (on some models)

The filter should be installed behind the vented door, which is located (depending on your model) along either the rear or left interior wall near the top of the refrigerator compartment.



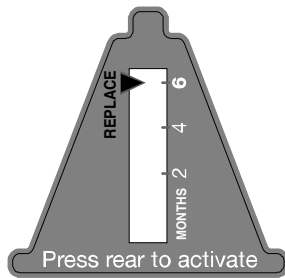
1. Remove the air filter from its packaging.
2. Lift open the vented door.
3. Snap the filter into place.



4. Close the vented door.

Installing the Filter Status Indicator (on some models)

The filter comes with a status indicator, which should be activated and installed at the same time the air filter is installed.



1. Place the indicator face-down on a firm, flat surface.
2. Apply pressure to the bubble on the back of the indicator, until the bubble pops to activate the indicator.
3. Lift open the vented air filter door. On some models, there are notches behind the door.

4. On models with notches:

- Slide the indicator down into the notches, facing outward.

NOTE: The indicator will not easily slide into the notches if the rear bubble has not been popped.

- Close the air filter door, and check that the indicator is visible through the rectangular hole in the door.

On models without notches:

- Store the indicator in a visible place you will easily remember - either inside the refrigerator, or elsewhere in your kitchen or home.

Replacing the Air Filter

The disposable air filter should be replaced every 6 months, when the status indicator has completely changed from white to red.

To order a replacement air filter, see "Accessories."

1. Remove the old air filter by squeezing in on the side tabs.
2. Remove the old status indicator.
3. Install the new air filter and status indicator using the instructions in the previous sections.

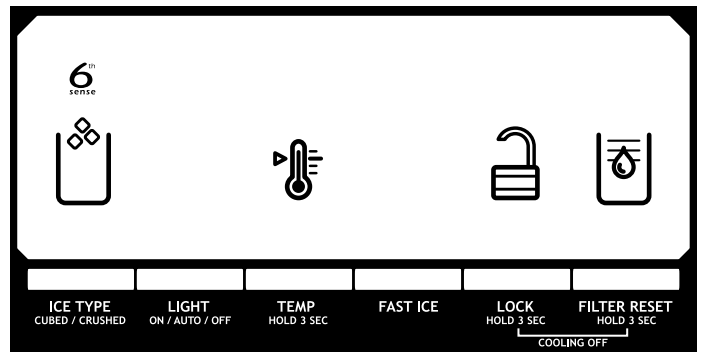
REFRIGERATOR USE

Using the Controls

The refrigerator and freezer controls are located on the dispenser panel.

IMPORTANT: The display screen on the dispenser control panel will turn off automatically and enter "sleep" mode when the control buttons and dispenser pads have not been used for 2 minutes or more. While in "sleep" mode, the first press of a control button will only reactivate the display screen, without changing any settings. After reactivation, changes to any settings can then be made. If no changes are made within 2 minutes, the display will re-enter "sleep" mode.

- Touch any control button on the dispenser panel to activate the display screen. The home screen will appear as shown.



Adjusting the Controls

For your convenience, your refrigerator and freezer controls are preset at the factory. When you first install your refrigerator, make sure that the controls are still set to the "mid-settings." The factory recommended set points are 37°F (3°C) for the refrigerator and 0°F (-18°C) for the freezer.

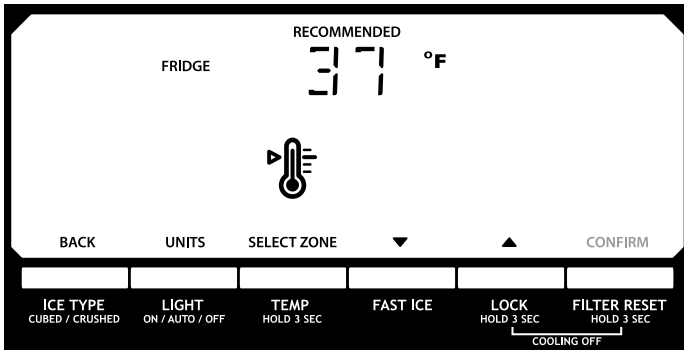
IMPORTANT:

- Wait 24 hours before you put food into the refrigerator. If you add food before the refrigerator has cooled completely, your food may spoil.

NOTE: Adjusting the set points to a colder than recommended setting will not cool the compartments any faster.

- If the temperature is too warm or too cold in the refrigerator or freezer, first check the air vents to be sure they are not blocked before adjusting the controls.
- The preset settings should be correct for normal household usage. The controls are set correctly when milk or juice is as cold as you like and when ice cream is firm.
- Wait at least 24 hours between adjustments. Recheck the temperatures before other adjustments are made.

To view and adjust the set points, press and hold the TEMP button for 3 seconds. When adjust mode is activated, adjusting information will appear on the display screen.



NOTE: To view Celsius temperatures, press the LIGHT button when adjust mode is activated. To return the display setting to Fahrenheit, press LIGHT again.

- When adjust mode is activated, the display screen shows the refrigerator set point and “FRIDGE” appears.
- Press LOCK to raise the set point, or press FAST ICE to lower the set point.
- When you have finished viewing (and adjusting if desired) the refrigerator set point, press TEMP to change the display to show the freezer set point. When the zone has been changed, “FREEZER” appears on the display screen.
- Press LOCK to raise the set point, or press FAST ICE to lower the set point.
- When you have finished viewing (and adjusting if desired) both the refrigerator and freezer set points, press FILTER to save the settings.

NOTE: To exit without saving changes, press ICE TYPE at any time while in adjust mode, or allow about 60 seconds of inactivity and adjust mode will turn off automatically.

When adjusting temperature set points, use the following chart as a guide.

CONDITION:	TEMPERATURE ADJUSTMENT:
REFRIGERATOR too cold	REFRIGERATOR Setting 1° higher
REFRIGERATOR too warm	REFRIGERATOR Setting 1° lower
FREEZER too cold	FREEZER Setting 1° higher
FREEZER too warm / Too little ice	FREEZER Setting 1° lower

The set point range for the refrigerator is 33°F to 45°F (0°C to 7°C). The set point range for the freezer is -5°F to 5°F (-21°C to -15°C).

Cooling On/Off

Your refrigerator and freezer will not cool when cooling is turned off.

- To turn cooling off, press and hold the LOCK and FILTER buttons at the same time for 3 seconds.

IMPORTANT: To avoid unintentionally locking the dispenser or changing other settings, be sure to press both buttons at exactly the same time.

When cooling is off, “COOLING OFF” will appear on the display screen.

- Press and hold LOCK and FILTER for 3 seconds again to turn cooling back on.

Additional Features

Fast Ice

The Fast Ice feature assists with temporary periods of heavy ice use by increasing ice production over a 24-hour period.

IMPORTANT: This feature only works if the ice maker is turned on. See “Ice Maker and Storage Bin.”

- Press FAST ICE to turn on the Fast Ice feature. When the feature is on, the Fast Ice icon will appear on the dispenser display screen. The Fast Ice setting will remain on for 24 hours unless manually turned off.



- To manually turn off the Fast Ice feature, press FAST ICE again or adjust the freezer temperature set point. The Fast Ice icon will disappear when the feature is off.

NOTE: If increased ice production is desired at all times, change the freezer set point to a lower setting. Setting the freezer to a colder temperature may make some foods, such as ice cream, harder.

6th Sense Temperature Management

The 6th Sense feature assists with regulating the temperature inside the refrigerator. If a large quantity of warm food is placed in the refrigerator or warm air enters the refrigerator while the door is held open, the 6th Sense system activates to quickly restore the temperature to the set point.



NOTE: The 6th Sense system is always on when your refrigerator is operating. You do not need to press any buttons to activate it. The 6th Sense icon on the dispenser display screen indicates that the feature is functioning properly.

Door Ajar Alarm

The Door Ajar Alarm feature sounds an alarm when the refrigerator or freezer door is open for 5 minutes and the product cooling is turned on. The alarm will repeat every 2 minutes. Close both doors to turn it off. The feature then resets and will reactivate when either door is left open again for 5 minutes.

NOTE: To mute the audible alarm while keeping the doors open, such as while cleaning the inside of the refrigerator, press any button on the control panel. The alarm sound will be temporarily turned off, but the Door Ajar icon will still be displayed on the dispenser control panel.



Dual Evaporator (on some models)

Some models come equipped with a dual sequential evaporation system, which includes two separate evaporators for the refrigerator and freezer compartments.

Dual evaporation results in higher humidity, which helps keep foods in the refrigerator from spoiling as quickly and improves food quality and freshness in the freezer due to decreased freezer burn. In addition, the dual evaporation system helps keep food smells in the refrigerator from transferring to ice in the freezer.

NOTE: The dual evaporation system is always activated when your refrigerator is operating. You do not need to press any buttons to turn it on.

Convertible Drawer Temperature Control

(on some models)

The control can be adjusted to properly chill meats or vegetables. The air inside the pan is cooled to avoid “spot” freezing and can be set to keep meats at the National Livestock and Meat Board recommended storage temperatures of 28° to 32°F (-2° to 0°C).

To store meat:

Set the control to one of the three MEAT settings to store meat at its optimal storage temperature.

To store vegetables:

Set the control to VEG to store vegetables at their optimal storage temperatures.

NOTE: If food starts to freeze, move the control to the right (less cold), toward the VEG setting. Remember to wait 24 hours between adjustments.

Crisper Humidity Control

(on some models)

You can control the amount of humidity in the moisture-sealed crisper. Adjust the control to any setting between LOW and HIGH.

LOW (open) for best storage of fruits and vegetables with skins.

HIGH (closed) for best storage of fresh, leafy vegetables.

Chilled Door Bin

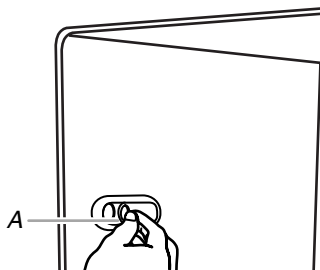
(on some models)

Cool air from the freezer is directed to the refrigerator door bin directly beneath the vents.

NOTE: The dairy compartment and can rack are not associated with the Chilled Door Bin feature.

Chilled Door Bin Control

The chilled door bin control is located on the left-hand side of the refrigerator compartment.



A. Chilled door bin control

- Slide the door chill control to the left to reduce the flow of cold air to the bin and make it less cold.
- Slide the door chill control to the right to increase the flow of cold air to the bin and make it colder.

Water and Ice Dispensers

IMPORTANT: After connecting the refrigerator to a water source or replacing the water filter, flush the water system. Use a sturdy container to depress and hold the water dispenser pad for 5 seconds, then release it for 5 seconds. Repeat until water begins to flow. Once water begins to flow, continue depressing and releasing the dispenser pad (5 seconds on, 5 seconds off) until a total of 3 gal. (12 L) has been dispensed. This will flush air from the filter and water dispensing system, and prepare the water filter for use. Additional flushing may be required in some households. As air is cleared from the system, water may spurt out of the dispenser.

NOTES:

- The dispensing system will not operate when the freezer door is open.
- Allow 24 hours for the refrigerator to cool down and chill water.
- Allow 24 hours to produce the first batch of ice. Discard the first three batches of ice produced. Wait 72 hours for full ice production.
- The display screen on the dispenser control panel will turn off automatically and enter “sleep” mode when the control buttons and dispenser pads have not been used for 2 minutes or more. While in “sleep” mode, the first press of a control button will only reactivate the display screen, without changing any settings. After reactivation, changes to any settings can then be made. If no changes are made within 2 minutes, the display will re-enter “sleep” mode.

The Water Dispenser

IMPORTANT:

- Dispense at least 1 qt (1 L) of water every week to maintain a fresh supply.
- If the flow of water from the dispenser decreases, it could be caused by low water pressure.
 - With the water filter removed, dispense 1 cup (237 mL) of water. If 1 cup of water is dispensed in 8 seconds or less, the water pressure to the refrigerator meets the minimum requirement.
 - If it takes longer than 8 seconds to dispense 1 cup of water, the water pressure to the refrigerator is lower than recommended. See “Water Supply Requirements” or “Troubleshooting” for suggestions.
- Limit water dispensing time to a maximum of 2 minutes at a time.

To Dispense Water:

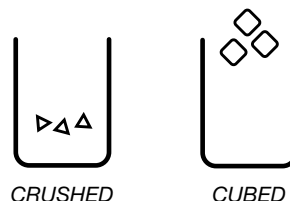
1. Press a sturdy glass against the water dispenser pad.
2. Remove the glass to stop dispensing.

The Ice Dispenser

Ice dispenses from the ice maker storage bin in the freezer when the dispenser pad is pressed. To turn off the ice maker, see “Ice Maker and Storage Bin.”

Your ice maker can produce both crushed and cubed ice. Before dispensing ice, select which type of ice you prefer by pressing the ICE TYPE button.

The display screen indicates which type of ice is selected.




For crushed ice, cubes are crushed before being dispensed. This may cause a slight delay when dispensing crushed ice. Noise from the ice crusher is normal, and pieces of ice may vary in size. When changing from crushed to cubed, a few ounces of crushed ice will be dispensed along with the first cubes.

To Dispense Ice:

1. Make sure the desired type of ice is selected. To switch between cubed and crushed, press ICE TYPE.

⚠ WARNING



Cut Hazard

Use a sturdy glass when dispensing ice.

Failure to do so can result in cuts.

2. Press a sturdy glass against the ice dispenser pad. Hold the glass close to the dispenser opening so ice does not fall outside of the glass.

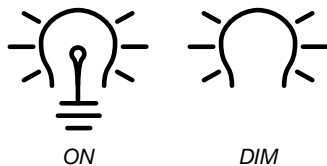
IMPORTANT: You do not need to apply a lot of pressure to the pad in order to activate the ice dispenser. Pressing hard will not make the ice dispense faster or in greater quantities.
3. Remove the glass to stop dispensing.

NOTE: Ice may continue to dispense for several seconds after removing the glass from the pad. The dispenser may continue to make noise for a few seconds after dispensing.

IMPORTANT: Limit ice dispensing time to a maximum of 2 minutes at a time.

The Dispenser Light

When you use the dispenser, the light will automatically turn on. If you want the light to be on continuously, you may choose either ON or DIM. The display screen indicates which mode is selected.



- ON:** Press LIGHT to turn the dispenser light on.
- DIM:** Press LIGHT a second time to select DIM mode. The dispenser light will remain on, but at a lower intensity.
- OFF:** Press LIGHT a third time to turn the dispenser light off. The dispenser lights are LEDs that cannot be changed. If it appears that your dispenser lights are not working, see “Troubleshooting” for more information.

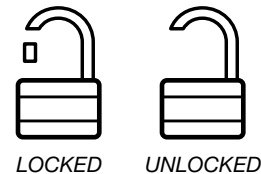
The Dispenser Lock

The dispenser can be turned off for easy cleaning or to avoid unintentional dispensing by small children and pets.

NOTE: The lock feature does not shut off power to the refrigerator, to the ice maker, or to the dispenser light. It simply deactivates the controls and dispenser pads. To turn off the ice maker, see “Ice Maker and Storage Bin.”

- Press and hold LOCK for 3 seconds to lock the dispenser.
- Press and hold LOCK a second time to unlock the dispenser.

The display screen indicates when the dispenser is locked.



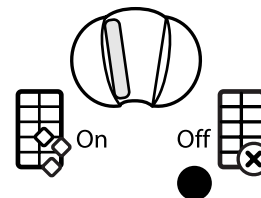
Ice Maker and Storage Bin

- Allow 24 hours to produce the first batch of ice. Discard the first three batches of ice produced.
- The quality of your ice will be only as good as the quality of the water supplied to your ice maker. Avoid connecting the ice maker to a softened water supply. Water softener chemicals (such as salt) can damage parts of the ice maker and lead to poor quality ice. If a softened water supply cannot be avoided, make sure the water softener is operating properly and is well maintained.
- Do not use anything sharp to break up the ice in the storage bin. This can cause damage to the ice container and the dispenser mechanism.
- Do not store anything on top of or in the ice maker or storage bin.

Style 1

Turning the Ice Maker On/Off:

The On/Off switch can only be accessed when the ice storage bin has been removed. The switch is located on the freezer door, on the left side of the wall that surrounds the ice storage bin. See the following section for bin removal instructions.



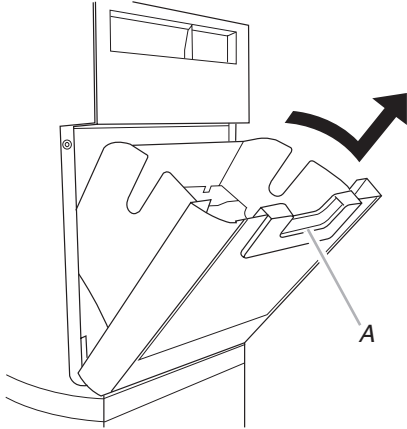
Ice Maker Control

- To turn on the ice maker, slide the control to the ON (left) position.
- To manually turn off the ice maker, slide the control to the OFF (right) position.

NOTE: The ice maker has an automatic shutoff to keep the storage bin from overflowing during normal operation. The ice maker sensors will automatically stop ice production, but the control will remain in the ON (left) position.

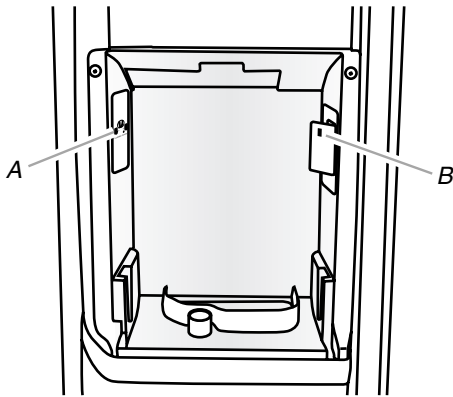
Removing and Replacing the Ice Storage Bin:

1. Press down the release lever and tilt the bucket outward. Use both hands to hold the base of the storage bin, then lift it up and out.



A. Release lever

NOTE: It is not necessary to turn the ice maker control to the OFF (right) position when removing the storage bin. The sensor cover (“flipper door”), located on the right wall of the freezer door, stops the ice maker from producing ice if the door is open or the storage bin is removed.



A. On/Off switch
B. Sensor cover

2. Replace the bin by sliding it onto the door, then tilting it back into an upright position. The release lever will click when the bin is securely in place.

Style 2

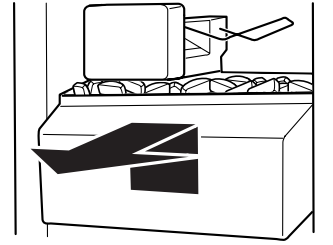
Turning the Ice Maker On/Off:

- To turn ON the ice maker, simply lower the wire shutoff arm.
- To manually turn off the ice maker, lift the wire shutoff arm to the OFF (arm up) position and listen for the click. Ice can still be dispensed, but no more can be made.

NOTE: The ice maker has an automatic shutoff to keep the storage bin from overflowing during normal operation. As ice is made, the ice cubes will fill the ice storage bin, and the ice cubes will raise the wire shutoff arm to the OFF (arm up) position. Do not force the wire shutoff arm up or down.

Removing and Replacing the Ice Storage Bin:

1. Pull the covering panel up from the bottom.
2. Lift the wire shutoff arm so it clicks into the OFF (up) position.
3. Lift up the front of the storage bin and pull it out.



4. Replace the bin by pushing it in all the way or the dispenser will not work.
5. To restart ice production, push the wire shutoff arm down to the ON position. Make sure the door is closed tightly.

Water Filtration System

Do not use with water that is microbiologically unsafe or of unknown quality without adequate disinfection before or after the system. Systems certified for cyst reduction may be used on disinfected waters that may contain filterable cysts.

Water Filter Status Light

The water filter status light will help you know when to change your water filter.

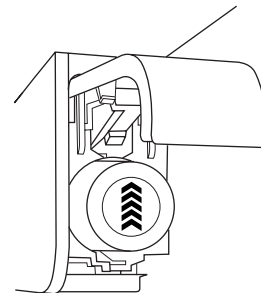
- When the dispenser control panel’s water filter status display changes to “ORDER,” this tells you that it is almost time to change the water filter cartridge.
- Replace the water filter cartridge when the water filter status display changes to “REPLACE.”

NOTE: If water flow to your water dispenser or ice maker decreases noticeably, change the filter sooner. The filter should be replaced at least every 6 months, depending on your water quality and usage.

Resetting the Filter Status

- After changing the water filter, reset the status light by pressing and holding the FILTER button for 3 seconds. When the system is reset, the “ORDER” and “REPLACE” icons will disappear from the display screen.

Changing the Water Filter



1. Locate the water filter in the top-right corner of the refrigerator compartment.
2. Lift open the filter cover door. The filter will be released and then be ejected as the door is opened.

3. When the door is completely open, pull the filter straight out.
NOTE: There may be some water in the filter. Some spilling may occur. Use a towel to wipe up any spills.
4. Take the new filter out of its packaging and remove the covers from the O-rings. Be sure the O-rings are still in place after the covers are removed.
5. With the arrow pointing up, align the new filter with the filter housing and slide it into place. The filter cover door will automatically begin to close as the new filter is inserted.
6. Close the filter cover door completely in order to snap the filter into place. You may need to press hard.
7. Flush the water system. See “Water and Ice Dispensers.”

4. There is no need for routine condenser cleaning in normal home operating environments. If the environment is particularly greasy or dusty, or there is significant pet traffic in the home, the condenser should be cleaned every 2 to 3 months to ensure maximum efficiency.

If you need to clean the condenser:

- Remove the base grille. See the “Door Removal” instructions, either in the User Instructions or the Installation Instructions and Owner’s Manual, or in the separate instruction sheet provided with your refrigerator.
 - Use a vacuum cleaner with a soft brush to clean the grille, the open areas behind the grille and the front surface area of the condenser.
 - Replace the base grille when finished.
5. Plug in refrigerator or reconnect power.

REFRIGERATOR CARE

Cleaning

⚠ WARNING



Explosion Hazard

Use nonflammable cleaner.

Failure to do so can result in death, explosion, or fire.

Both the refrigerator and freezer sections defrost automatically. However, clean both sections about once a month to avoid buildup of odors. Wipe up spills immediately.

IMPORTANT: Because air circulates between both sections, any odors formed in one section will transfer to the other. You must thoroughly clean both sections to eliminate odors. To avoid odor transfer and drying out of food, wrap or cover foods tightly.

To Clean Your Refrigerator:

NOTE: Do not use abrasive or harsh cleaners such as window sprays, scouring cleansers, flammable fluids, cleaning waxes, concentrated detergents, bleaches or cleansers containing petroleum products on plastic parts, interior and door liners or gaskets. Do not use paper towels, scouring pads, or other harsh cleaning tools.

1. Unplug refrigerator or disconnect power.
2. Hand wash, rinse, and dry removable parts and interior surfaces thoroughly. Use a clean sponge or soft cloth and a mild detergent in warm water.
3. Wash stainless steel and painted metal exteriors with a clean sponge or soft cloth and a mild detergent in warm water.

Lights


NOTE: Not all bulbs will fit your refrigerator. Be sure to replace the bulb with one of the same size, shape and wattage. Replacement bulbs are available from your dealer.

- The dispenser lights are LEDs that cannot be changed.
 - On some models, the interior lights are LEDs that cannot be changed.
 - On some models, the interior lights require a 40-watt (maximum) bulb.
1. Unplug refrigerator or disconnect power.
 2. Remove light shield when applicable.
NOTE: To clean the light shield, wash it with warm water and liquid detergent. Rinse and dry the shield well.
 3. Remove light bulb and replace with one of the same size, shape and wattage (40 watts maximum).
 4. Replace light shield when applicable.
 5. Plug in refrigerator or reconnect power.

PROBLEM SOLVER

First try the solutions suggested here or visit our website to possibly avoid the cost of a service call.

⚠ WARNING



Electrical Shock Hazard
Plug into a grounded (earthed) outlet.
Do not remove ground prong.
Do not use an adapter.
Do not use an extension cord.
Failure to follow these instructions can result in death, fire, or electrical shock.

GENERAL OPERATION

Possible Causes and/or Recommended Solutions

Refrigerator will not operate

- **Not connected to an electrical supply** - Plug the power cord into a grounded (earthed) outlet. Do not use an extension cord.
- **No power to the electrical outlet** - Plug in a lamp to see if the outlet is working.
- **Household fuse has blown or circuit breaker has tripped** - Replace the fuse or reset the circuit breaker. If the problem continues, contact a licensed electrician.
- **Control or cooling is not turned on** - Turn on the refrigerator control, or turn cooling on. See "Using the Controls."
- **New installation** - Following installation, allow 24 hours for the refrigerator and freezer to cool completely.
NOTE: Adjusting the temperature control(s) to the coldest setting will not cool either compartment (refrigerator or freezer) more quickly.

Motor seems to run too much

- **Your new refrigerator has an energy-efficient motor** - The refrigerator may run longer than you're used to, because the compressor and fans operate at lower speeds that are more energy-efficient. This is normal.
NOTE: Your refrigerator may run even longer if the room is warm, a large load of food is added, the doors are opened often, or if a door has been left open.

Refrigerator seems noisy

The compressor in your new refrigerator regulates temperature more efficiently and uses less energy than older models. During various stages of operation, you may hear normal operating sounds that are unfamiliar.

The following noises are normal:

- **Buzzing/Clicking** - Heard when the water valve opens and closes to dispense water or fill the ice maker. If the refrigerator is connected to a water line, this is normal. If the refrigerator is not connected to a water line, turn off the ice maker.
- **Cracking/Crashing** - Heard when ice is ejected from the ice maker mold.
- **Popping** - Heard when the inside walls contract/expand, especially during initial cooldown.
- **Pulsating/Whirring** - Heard when the fans/compressor adjust to optimize performance during normal operation.
- **Rattling** - Heard when water passes through the water line, or due to the flow of refrigerant. Rattling may also come from items placed on top of the refrigerator.
- **Water running or gurgling** - Heard when ice melts during the defrost cycle and water runs into the drain pan.
- **Sizzling** - Heard when water drips onto the heater during the defrost cycle.

GENERAL OPERATION	Possible Causes and/or Recommended Solutions
Temperature is too warm	<ul style="list-style-type: none"> ■ New installation - Following installation, allow 24 hours for the refrigerator and freezer to cool completely. NOTE: Adjusting the temperature control(s) to the coldest setting will not cool either compartment (refrigerator or freezer) more quickly. ■ Doors are opened often or not closed completely - This allows warm air to enter the refrigerator. Minimize door openings, keep the doors fully closed, and make sure both doors are properly sealed. ■ Air vents are blocked - Remove items that are immediately in front of the vents. ■ Large amount of warm food recently added - Allow several hours for the refrigerator to return to its normal temperature. ■ Controls are not set correctly for the surrounding conditions - Adjust the controls to a colder setting. Check the temperature again in 24 hours.
Temperature is too cold	<ul style="list-style-type: none"> ■ Controls are not set correctly for the surrounding conditions - Adjust the controls to a warmer setting. Check the temperature again in 24 hours. ■ Top refrigerator shelf is colder than lower shelves - On some models, air from the freezer enters the refrigerator compartment through vents near the top refrigerator shelf. As a result, the top shelf can be slightly colder than lower shelves. ■ Air vents are blocked - Remove items that are immediately in front of the vents.
Interior moisture buildup	<p>NOTE: Some moisture buildup is normal. Clean with a soft dry cloth.</p> <ul style="list-style-type: none"> ■ Room is humid - A humid environment contributes to moisture buildup. Use the refrigerator only in an indoor location, with as little humidity as possible. ■ Doors are opened often or not closed completely - This allows humid air to enter the refrigerator. Minimize door openings, keep the doors fully closed, and make sure both doors are properly sealed.
Interior lights do not work	<ul style="list-style-type: none"> ■ Doors have been open for an extended period of time - Close the doors to reset the lights. ■ Light bulb is loose in the socket or has burned out - On models with incandescent interior light bulbs, tighten or replace the bulb. See “Lights.” <p>NOTE: On models with LED lights, call for assistance or service if the interior lights do not illuminate when either door is opened.</p>
Dispenser lights do not work (on some models)	<ul style="list-style-type: none"> ■ Dispenser light is turned off - On some models, if the dispenser light is set to OFF, the light will turn on only when a dispenser pad/lever is pressed. If you want the dispenser light to stay on continuously, select a different setting. See “Water and Ice Dispensers.” ■ Dispenser light is set to AUTO or NIGHT LIGHT - On some models, if the dispenser light is set to AUTO or NIGHT LIGHT, make sure the dispenser light sensor is not blocked. See “Water and Ice Dispensers.” <p>NOTE: On models with LED lights, call for assistance or service if the dispenser lights do not operate correctly.</p>

⚠ WARNING




Explosion Hazard

Use nonflammable cleaner.
Failure to do so can result in death, explosion, or fire.

DOORS AND LEVELING	Possible Causes and/or Recommended Solutions
Doors are difficult to open	<ul style="list-style-type: none"> ■ Gaskets are dirty or sticky - Clean the gaskets and contact surfaces with mild soap and warm water. Rinse and dry with a soft cloth.
Doors will not close completely	<ul style="list-style-type: none"> ■ Door is blocked open - Move food packages away from the door. Make sure all bins and shelves are in their correct positions. Make sure all packaging materials have been removed.
Doors appear to be uneven	<ul style="list-style-type: none"> ■ Doors need to be aligned, or refrigerator needs to be leveled - See the leveling and door alignment instructions.
Refrigerator rocks and is not stable	<ul style="list-style-type: none"> ■ Refrigerator is not level - To stabilize the refrigerator, remove the base grille and lower the leveling feet until they touch the floor. See the leveling and door alignment instructions.

⚠ WARNING



Cut Hazard

Use a sturdy glass when dispensing ice.
Failure to do so can result in cuts.

ICE AND WATER (on some models)	Possible Causes and/or Recommended Solutions
Ice maker is not producing ice, not producing enough ice, or producing small/hollow ice	<ul style="list-style-type: none"> ■ Refrigerator is not connected to a water supply, or the water supply shutoff valve is not fully turned on - Connect the refrigerator to a water supply and make sure the water shutoff valve is fully open. ■ Kink in the water source line - A kink in the water line can reduce water flow, resulting in decreased ice production, small ice cubes, and/or hollow or irregularly-shaped ice. Straighten the water line. ■ Ice maker is not turned on - Turn on the ice maker. See “Ice Maker and Storage Bin.” ■ New installation - After connecting the refrigerator to a water source, flush the water system. (See “Water and Ice Dispensers.”) Wait 24 hours for ice production to begin. Wait 72 hours for full ice production. Discard the first three batches of ice produced. ■ Large amount of ice was recently removed - Allow sufficient time for the ice maker to produce more ice. ■ Ice is jammed in the ice maker ejector arm - Remove ice from the ejector arm using a plastic utensil. ■ Inadequate water pressure - Verify that the household has adequate water pressure. See “Water Supply Requirements.” ■ Water filter is installed incorrectly - Make sure the filter is properly installed. See “Water Filtration System.” ■ A reverse osmosis water filtration system is connected to your cold water supply - This can decrease water pressure. See “Water Supply Requirements.” <p>NOTE: If questions remain regarding water pressure, contact a licensed, qualified plumber.</p>

**ICE AND WATER
(on some models)****Possible Causes and/or Recommended Solutions**

**Ice dispenser
will not operate
properly**

- **Doors not closed completely** - Make sure both doors are firmly closed. (On some models, only the freezer door must be closed in order to operate the dispenser.)
- **New installation** - After connecting the refrigerator to a water source, flush the water system. (See “Water and Ice Dispensers.”) Wait 24 hours for ice production to begin. Wait 72 hours for full ice production. Discard the first three batches of ice produced.
- **Ice maker is not turned on, or ice bin is not installed correctly** - Turn on the ice maker and make sure the ice storage bin is firmly in position. See “Ice Maker and Storage Bin.”
- **Ice is clogged or frozen together in the ice storage bin, or ice is blocking the ice delivery chute** - Remove or separate the clogged ice, using a plastic utensil if necessary. Clean the ice delivery chute and the bottom of the ice storage bin using a warm damp cloth, then dry both thoroughly. To avoid clogging and to maintain a fresh supply of ice, empty the storage bin and clean both the storage bin and the delivery chute every 2 weeks.
- **Wrong ice has been added to the storage bin** - Use only ice cubes produced by the current ice maker.
- **Dispenser is locked** - Unlock the dispenser. See “Water and Ice Dispensers.”
- **Ice dispenser jams while dispensing crushed ice** - For models with the ice storage bin on the door, temporarily switch from crushed ice to cubed ice to clear the jam.
- **Dispenser pad/lever has been pressed too long** - Ice will automatically stop dispensing. Wait a few minutes for the dispenser to reset, then resume dispensing. Take large amounts of ice directly from the ice bin, not through the dispenser.
- **Water pressure to the home is not at or above 30 psi (207 kPa)** - The water pressure to the home affects the flow from the dispenser. See “Water Supply Requirements.”
- **Water filter is clogged or incorrectly installed** - Replace filter or reinstall it correctly. See “Water Filtration System.”

**Ice or water has an
off-taste, odor,
or gray color**

- **New plumbing connections** - New plumbing connections can result in off-flavored or discolored ice or water. This problem should go away over time.
- **Ice has been stored too long** - Discard the ice and wash the ice bin. Allow 24 hours for the ice maker to produce new ice.
- **Odor has transferred from food** - Use airtight moisture-proof packaging to store food.
- **Use of non-recommended water supply line** - Odors and tastes can transfer from certain materials used in non-recommended water supply lines. Use only a recommended water supply line. See “Water Supply Requirements.”
- **There are minerals (such as sulfur) in the water** - A water filter may need to be installed in order to remove the minerals.
- **Water filter was recently installed or replaced** - Gray or dark discoloration in ice or water indicates that the water filtration system needs additional flushing. See “Water and Ice Dispensers.”

**Water dispenser
will not operate
properly**

- **Doors not closed completely** - Make sure both doors are firmly closed. (On some models, only the freezer door must be closed in order to operate the dispenser.)
- **Refrigerator is not connected to a water supply, or the water supply shutoff valve is not turned on** - Connect the refrigerator to a water supply and make sure the water shutoff valve is fully open.
- **Kink in the water source line** - A kink in the water line can reduce water flow to the dispenser. Straighten the water line.
- **Water pressure to the home is not at or above 30 psi (207 kPa)** - The water pressure to the home affects the flow from the dispenser. See “Water Supply Requirements.”
- **New installation** - After connecting the refrigerator to a water source, flush the water system. See “Water and Ice Dispensers.”
- **Dispenser is locked** - Unlock the dispenser. See “Water and Ice Dispensers.”
- **Water filter is clogged or incorrectly installed** - Replace filter or reinstall it correctly. See “Water Filtration System.”
- **A reverse osmosis water filtration system is connected to your cold water supply** - This can decrease water pressure. See “Water Supply Requirements.”

NOTE: If questions remain regarding water pressure, contact a licensed, qualified plumber.

**ICE AND WATER
(on some models)****Possible Causes and/or Recommended Solutions**

Water is leaking or dripping from the dispenser

NOTE: After dispensing, a few additional drops of water are normal.

- **Glass was not held under the dispenser long enough** - Hold the glass under the dispenser for 2 to 3 seconds after releasing the dispenser pad/lever.
- **New installation, or water filter was recently installed or replaced** - Air in the water lines causes the water dispenser to drip. Flush the water system to remove the air in the water lines. See “Water and Ice Dispensers.”
- **Residual ice in the dispenser chute is melting** - Make sure the ice chute is free of ice shavings or pieces.

Water is leaking from the back of the refrigerator

- **Water line connections are not fully tightened** - Make sure all connections are firmly tightened. See “Connect Water Supply.”

Water from the dispenser is not cool enough

NOTE: On some models, water from the dispenser is chilled to 50°F (10°C).

- **New installation** - Allow 24 hours after installation for the water supply to cool completely.
 - **Recently dispensed a large amount of water** - Allow 24 hours for the new water supply to cool completely.
 - **Water has not been recently dispensed** - The first glass of water may not be cool. Discard the first glass of water dispensed.
 - **Refrigerator is not connected to a cold water pipe** - Make sure the refrigerator is connected to a cold water pipe. See “Water Supply Requirements.”
-

ACCESSORIES

To order accessories, contact the dealer from whom you purchased your refrigerator and ask for the appropriate part number listed below.

Stainless Steel Cleaner and Polish:

Part #4396095

Replacement Filters:

Do not use with water that is microbiologically unsafe or of unknown quality without adequate disinfection before or after the system. Systems certified for cyst reduction may be used on disinfected waters that may contain filterable cysts.

Interior Water Filter:

Part #W10295370 (P4RFBW)

Air Filter:

Part #W10311524

ASSISTANCE OR SERVICE

Before calling for assistance or service, please check "Troubleshooting" or "Problem Solver." It may save you the cost of a service call.

If you still need help, contact the dealer from whom you purchased the refrigerator.

If you need replacement parts

Look for quality replacement parts whenever you need a replacement part for your refrigerator.

To locate factory specified replacement parts in your area, contact the dealer from whom you purchased your refrigerator.

Warranty

Contact the dealer from whom you purchased the refrigerator for warranty information.

Keep this book and your sales slip together for future reference. You must provide proof of purchase or installation date for in-warranty service.

Write down the following information about your appliance to help you obtain assistance or service if you ever need it. You will need to know your complete model number and serial number. You can find this information on the model and serial number label, located on the inside wall of the refrigerator compartment.

Dealer name _____
Serial number _____
Address _____
Phone number _____
Model number _____
Purchase date _____



INSTRUCCIONES PARA EL USUARIO DEL REFRIGERADOR

Índice

SEGURIDAD DEL REFRIGERADOR	26	USO DEL REFRIGERADOR	37
Cómo deshacerse adecuadamente de su refrigerador viejo	27	Uso de los controles	37
INSTRUCCIONES DE INSTALACIÓN	27	Control de temperatura del cajón convertible	39
Desembale el refrigerador	27	Control de humedad del cajón para verduras	39
Remoción, nivelación y alineación de las puertas	28	Depósito enfriador de la puerta	39
Cómo instalar y remover las manijas	31	Despachadores de agua y hielo	39
Dimensiones del producto	31	Fábrica de hielo y depósito	41
Requisitos de ubicación	33	Sistema de filtración de agua	42
Requisitos eléctricos	33	CUIDADO DEL REFRIGERADOR	42
Requisitos del suministro de agua	34	Limpieza	42
Conexión del suministro de agua	34	Luces	43
Instalación del filtro de aire	36	SOLUCIÓN DE PROBLEMAS	44
		ACCESORIOS	50
		AYUDA O SERVICIO TÉCNICO	50

SEGURIDAD DEL REFRIGERADOR

Su seguridad y la seguridad de los demás es muy importante.

Hemos incluido muchos mensajes importantes de seguridad en este manual y en su electrodoméstico. Lea y obedezca siempre todos los mensajes de seguridad.



Éste es el símbolo de advertencia de seguridad.

Este símbolo le llama la atención sobre peligros potenciales que pueden ocasionar la muerte o una lesión a usted y a los demás.

Todos los mensajes de seguridad irán a continuación del símbolo de advertencia de seguridad y de la palabra "PELIGRO" o "ADVERTENCIA". Estas palabras significan:

⚠ PELIGRO

Si no sigue las instrucciones de inmediato, usted puede morir o sufrir una lesión grave.

⚠ ADVERTENCIA

Si no sigue las instrucciones, usted puede morir o sufrir una lesión grave.

Todos los mensajes de seguridad le dirán el peligro potencial, le dirán cómo reducir las posibilidades de sufrir una lesión y lo que puede suceder si no se siguen las instrucciones.

INSTRUCCIONES IMPORTANTES DE SEGURIDAD

ADVERTENCIA: Para reducir el riesgo de incendio, descarga eléctrica, o lesiones personales al usar su refrigerador siga estas precauciones básicas:

- Enchufe en un contacto con conexión a tierra.
- No quite el terminal de conexión a tierra.
- No use un adaptador.
- No use un cable eléctrico de extensión.
- Desconecte el suministro de energía antes de darle servicio.
- Vuelva a colocar todas las piezas y paneles antes de ponerlo a funcionar.
- Retire las puertas de su refrigerador viejo.
- Use un limpiador no inflamable.
- Mantenga los materiales y vapores inflamables, tales como gasolina, alejados del refrigerador.
- Use dos o más personas para mover e instalar el refrigerador.
- Desconecte el suministro de energía antes de instalar la máquina de hacer hielo (solamente en aquellos modelos que incluyen el juego listo de la máquina de hacer hielo).
- La línea de agua y la máquina de hacer hielo deben ser instaladas por un técnico de servicio calificado.
- Use un vaso resistente para recibir hielo del despachador (en algunos modelos).
- Este aparato no ha sido diseñado para ser usado por personas (incluidos niños) con capacidad física, sensorial o mental reducida, o con falta de experiencia y conocimiento, a menos que lo hagan bajo supervisión o siguiendo las instrucciones relativas al uso del aparato, a cargo de una persona responsable por su seguridad.
- Los niños deberán estar bajo supervisión para asegurarse de que no jueguen con el electrodoméstico.
- Si se ha dañado el cable de suministro de energía, deberá ser reemplazado por el fabricante, el agente de servicio o una persona similarmente calificada con el fin de evitar riesgos.
- No guarde en este aparato sustancias explosivas, como latas en aerosol con propulsor inflamable.
- Este aparato ha sido diseñado para usarse en un entorno doméstico y aplicaciones similares, tales como: áreas de cocina para el personal en tiendas, oficinas y otros ambientes laborales; granjas y huéspedes de hoteles, moteles y otros ambientes de tipo residencial; ambientes similares a pensiones u hoteles que dan desayuno; servicios de comida y aplicaciones similares que no sean de venta al por menor.

GUARDE ESTAS INSTRUCCIONES

Cómo deshacerse adecuadamente de su refrigerador viejo

⚠️ ADVERTENCIA

Peligro de asfixia

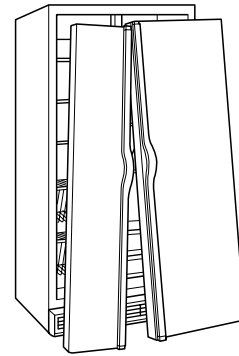
Retire las puertas de su refrigerador viejo.

No seguir esta instrucción puede ocasionar la muerte o daño al cerebro.

IMPORTANTE: El atrapamiento y asfixia de niños no es un problema del pasado. Los refrigeradores tirados y abandonados son un peligro, aún si van a quedar ahí “por unos pocos días”. Si Ud. está por deshacerse de su refrigerador viejo, por favor siga las instrucciones que se dan a continuación para prevenir accidentes.

Antes de tirar su viejo refrigerador o congelador:

- Saque las puertas.
- Deje los estantes en su lugar así los niños no pueden meterse adentro con facilidad.



INSTRUCCIONES DE INSTALACIÓN

Desembale el refrigerador

⚠️ ADVERTENCIA

Peligro de peso excesivo

Use dos o más personas para mover e instalar el refrigerador.

No seguir esta instrucción puede ocasionar una lesión en la espalda u otro tipo de lesiones.

Quite los materiales de empaque. No use instrumentos filosos, alcohol para fricciones, líquidos inflamables o productos de limpieza abrasivos para eliminar los restos de cinta o goma. Estos productos pueden dañar la superficie de su refrigerador. Para más información, vea “Seguridad del refrigerador”.

Cuando mueva su refrigerador:

Su refrigerador es pesado. Cuando mueva el refrigerador para la limpieza o para darle servicio, cerciórese de cubrir el piso con cartón o madera para evitar daños en el mismo. Al mover el refrigerador, tire siempre directamente hacia afuera. No menee el refrigerador de lado a lado ni lo haga “caminar” cuando trate de moverlo ya que podría dañar el suelo.

Información importante para saber acerca de los estantes y tapas de vidrio:

No limpie los estantes y tapas de vidrio con agua caliente mientras estén fríos. Los estantes y tapas pueden romperse si se exponen a cambios bruscos de temperatura o a impactos, como sería un golpe brusco. El vidrio templado se ha diseñado para hacerse añicos. Esto es normal. Los estantes y tapas de vidrio son muy pesados. Use ambas manos al sacarlos para evitar que se caigan.

Remoción, nivelación y alineación de las puertas

Reúna las herramientas y piezas necesarias y lea todas las instrucciones antes de comenzar la instalación. Guarde estas instrucciones para referencia futura.

NOTA: Antes de introducir el producto en su hogar, mida el espacio de la entrada de su casa para decidir si es necesario quitar las puertas del refrigerador y del congelador. Si es necesario quitar las puertas, vea las instrucciones a continuación.

IMPORTANTE: Antes de comenzar, gire el control del refrigerador hacia la posición de OFF (APAGADO). Desenchufe el refrigerador o desconecte el suministro de energía.

HERRAMIENTAS NECESARIAS:

Destornillador Phillips, llave hexagonal de $\frac{3}{16}$ ", llave de cubo de cabeza hexagonal de $\frac{1}{4}$ ", llaves de boca de $\frac{1}{4}$ " y $\frac{5}{16}$ " o llave ajustable, llave estrella o llave de cubo de cabeza hexagonal de $\frac{3}{8}$ "



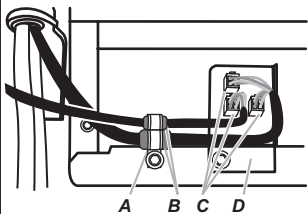
⚠ ADVERTENCIA

Peligro de descarga eléctrica

Desconecte el suministro de energía antes de sacar las puertas.

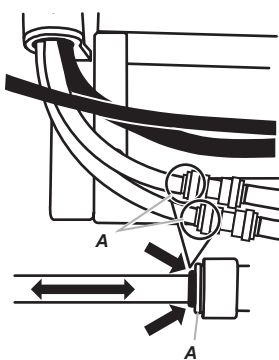
No seguir esta instrucción puede ocasionar la muerte o descarga eléctrica.

3 Conexión del cableado



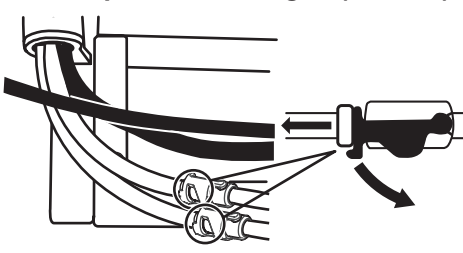
- A. Sujetador de cableado
- B. Aros de refuerzo
- C. Enchufes de cableado
- D. Alojamiento eléctrico

2A Conexión de la tubería del despachador de agua (Estilo 1)



- A. Cara del accesorio

2B Conexión de la tubería del despachador de agua (Estilo 2)



4 Bisagra superior izquierda

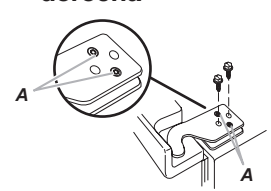


- A. No quite los tornillos.

5 Cómo quitar la puerta

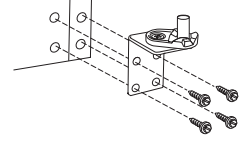


6 Bisagra superior derecha

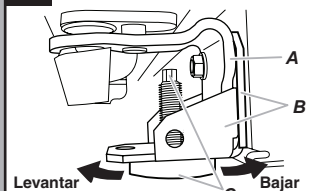


- A. No quite los tornillos.

7 Bisagras inferiores (Izquierda y Derecha)

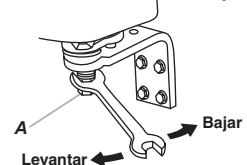


8 Nivelación



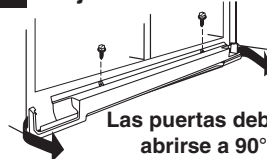
- A. Bisagra inferior
- B. Soporte nivelador
- C. Pata niveladora

9 Alineamiento de las puertas (bisagra derecha inferior)



- A. Tornillo de alineamiento

1 Rejilla de la base



Cómo quitar las puertas

ADVERTENCIA



Peligro de descarga eléctrica

Desconecte el suministro de energía antes de sacar las puertas.

No seguir esta instrucción puede ocasionar la muerte o descarga eléctrica.

1. Desenchufe el refrigerador o desconecte el suministro de energía.
2. Abra ambas puertas a 90°. Quite la rejilla de la base sacando los 2 tornillos, luego jale hacia fuera las esquinas exteriores. *Vea la ilustración 1.*
NOTA: Las puertas sólo deben abrirse a 90°. Si se abren por completo, la rejilla de la base no se podrá quitar.
3. Quite todos los alimentos, el depósito de hielo y cualquier recipiente ajustable o de uso general de las puertas.
4. En los modelos con despachador, desconecte la tubería de agua que está ubicada detrás de la rejilla de la base, del lado de la puerta del congelador. La tubería del despachador pasa a través de la bisagra de la puerta y debe ser desconectada para quitar la puerta.
 - **Estilo 1:** Presione el anillo exterior de color contra la cara del encaje y jale la tubería de agua para liberarla. *Vea la ilustración 2A.*
NOTA: Mantenga el conector de la tubería de agua adherido al tubo que corre debajo del congelador. La puerta no se puede retirar si el conector está adherido al tubo que corre a través de la bisagra de la puerta.
 - **Estilo 2:** Jale con firmeza de la abrazadera de enganche para liberar el tubo; luego, jale de la tubería de agua para liberarla. *Vea la ilustración 2B.*
NOTA: Mantenga la abrazadera de enganche adherida al tubo que corre debajo del congelador.
5. Desconecte el cableado que está ubicado detrás de la rejilla de la base, del lado de la puerta del congelador. *Vea la ilustración 3.*
 - Quite el sujetador de cableado con una llave de tubo de cabeza hexagonal de 1/4".
 - Desconecte los enchufes de cableado del alojamiento eléctrico.
6. Cierre ambas puertas y manténgalas cerradas hasta que esté listo para separarlas de la carcasa.
7. Use una llave hexagonal de 3/16" para quitar los tornillos de la bisagra superior izquierda, como se muestra. *Vea la ilustración 4.*
IMPORTANTE: No quite ninguno de los tornillos A.
8. Use una llave estrella o una llave de cubo de cabeza hexagonal de 3/8" para sacar los tornillos de la bisagra inferior izquierda. *Vea la ilustración 7.*

IMPORTANTE: Se necesitan dos personas — una para sostener la puerta del congelador en su lugar y otra para quitar los tornillos de la bisagra.

NOTA: Un soporte nivelador está colocado detrás de la bisagra inferior. Asegúrese de que el soporte nivelador se vuelva a colocar en su sitio cuando se vuelva a instalar la bisagra.

ADVERTENCIA

Peligro de peso excesivo

Use dos o más personas para levantar la puerta del congelador.

No seguir esta instrucción puede ocasionar una lesión en la espalda u otro tipo de lesiones.

9. Quite la puerta del congelador. *Vea la ilustración 5.* La tubería de agua (en los modelos con despachador) y el cableado quedan afianzados a la puerta del congelador, junto con la bisagra izquierda inferior.
IMPORTANTE: Coloque la puerta de costado sobre una superficie suave y limpia, como puede ser una toalla, frazada o pieza de cartón. Esto ayudará a evitar daños en la puerta, la tubería de agua y el cableado.
10. Use una llave hexagonal de 3/16" para quitar los tornillos de la bisagra superior derecha, como se muestra. *Vea la ilustración 6.*
IMPORTANTE: No quite ninguno de los tornillos A.
11. Levante la puerta del refrigerador directamente de la bisagra inferior.
12. Quizá no sea necesario quitar la bisagra inferior derecha para pasar el refrigerador por una puerta.
 - Si es necesario, use una llave estrella o una llave de cubo de cabeza hexagonal de 3/8" - para quitar la bisagra inferior derecha. *Vea la ilustración 7.*
NOTA: Un soporte nivelador está colocado detrás de la bisagra inferior. Si quita la bisagra, asegúrese de volver a colocar el soporte nivelador cuando vuelva a instalar la bisagra.

Cómo volver a poner las puertas y las bisagras en su lugar

1. Si la quitó, vuelva a colocar la bisagra inferior derecha. Asegúrese de que el soporte nivelador se ensamble detrás de la bisagra. Apriete los tornillos.
NOTA: Cuando los tornillos se aprietan como es debido, no debe haber espacio entre el refrigerador, el soporte nivelador y la bisagra.

ADVERTENCIA

Peligro de peso excesivo

Use dos o más personas para levantar la puerta del congelador.

No seguir esta instrucción puede ocasionar una lesión en la espalda u otro tipo de lesiones.

2. Sostenga la puerta del congelador en su lugar para volver a colocar la bisagra inferior izquierda. Para alcanzar la bisagra fácilmente, sostenga la puerta abierta a 90°. Asegúrese de que el soporte nivelador se ensamble detrás de la bisagra. Apriete los tornillos.
IMPORTANTE: Se necesitan dos personas — una para sostener la puerta del congelador en su lugar y otra para instalar los tornillos de la bisagra.

NOTA: Cuando los tornillos se aprietan como es debido, no debe haber espacio entre el refrigerador, el soporte nivelador y la bisagra.

- Una vez que se haya vuelto a colocar la bisagra inferior izquierda, cierre la puerta del congelador y asegúrese de que esté bien colocada sobre la bisagra. Tal vez necesite ayuda.

NOTA: Disponga de un soporte adicional para las puertas mientras reemplaza las bisagras superiores. No se confíe en que los imanes de las puertas van a sostener las puertas en su lugar mientras trabaja.

- Alinee y vuelva a colocar la bisagra superior izquierda como se muestra. *Vea la ilustración 4.* Apriete los tornillos.
- Vuelva a conectar la tubería de agua (en los modelos con despachador) y el cableado.

IMPORTANTE: No entrelace la tubería de agua con el haz de cables cuando los reconecte.

- En los modelos con despachador, vuelva a conectar la tubería de agua.

Conexión de agua Estilo 1: Empuje el tubo de agua más grande de $\frac{5}{16}$ " (7,94 mm) dentro del accesorio azul hasta que se detenga; luego empuje el tubo de agua más pequeño de $\frac{1}{4}$ " (6,35 mm) dentro del accesorio verde hasta que se detenga. *Vea la ilustración 2A.*

Conexión de agua Estilo 2: Empuje el tubo de agua negro con la punta azul dentro del accesorio azul hasta que se detenga. Cierre la abrazadera de enganche alrededor de la tubería asegurándose de que encaje en su lugar. Repita este proceso para conectar el tubo de agua negro con punta roja y el accesorio rojo. *Vea la ilustración 2B.*

NOTA: En los modelos de despachador con depósito de hielo en la puerta del congelador, hay dos haces de cables que pasan por debajo del congelador — un haz grande con un aro grande de refuerzo y dos enchufes blancos en el extremo, y un haz pequeño con un aro de refuerzo pequeño y un enchufe amarillo en el extremo.

- Vuelva a conectar los enchufes de cableado al alojamiento eléctrico. *Vea la ilustración 3.*
- Vuelva a instalar el sujetador de cableado alrededor de los aros de refuerzo. En los modelos de despachador con depósito de hielo en la puerta del congelador, primero instale el aro de refuerzo pequeño en la parte superior del sujetador, luego instale el aro de refuerzo más grande en la parte inferior del sujetador (más cerca del orificio del tornillo). *Vea la ilustración 3.*
- Alinee el orificio para tornillo del sujetador con el orificio en la barra de la base del refrigerador, y atornille el sujetador. Apriete el tornillo. *Vea la ilustración 3.*

IMPORTANTE: Una vez que estén conectados, los haces de cables no se deben forzar. Es necesario que haya cierta flexibilidad para permitir que la puerta del congelador se abra bien.

- Vuelva a colocar la puerta del refrigerador, encajándola sobre la bisagra inferior derecha.
- Alinee y vuelva a colocar la bisagra superior derecha como se muestra. *Vea la ilustración 6.* Apriete los tornillos.
- Vuelva a colocar el depósito de hielo y cualquier puerta o recipientes para uso general regulables.
- Enchufe el refrigerador en un contacto con conexión a tierra.

Nivelación y cierre de las puertas

Su refrigerador tiene dos patas frontales regulables — una a la derecha y otra a la izquierda. En la mayoría de los casos, el refrigerador debe estar fijo cuando las dos patas están tocando el piso. Si su refrigerador parece inestable o usted quiere que las puertas se cierren con mayor facilidad, ajuste la inclinación del refrigerador usando las instrucciones siguientes:

- Mueva el refrigerador hacia su ubicación final. Si es necesario, abra ambas puertas 90° y quite la rejilla de la base. *Vea la ilustración 1.*
- Las dos patas niveladoras están ubicadas en los soportes a cada lado del producto. *Vea la ilustración 8.*

NOTA: Para quitar un poco de peso de las patas niveladoras, haga que alguien empuje la parte superior del refrigerador. Esto facilita los ajustes.

- Use una llave de boca o una llave ajustable de $\frac{1}{4}$ " para regular las patas niveladoras. Gire la pata niveladora hacia la izquierda para levantar ese lado del refrigerador o gire la pata niveladora hacia la derecha para bajar ese lado del producto.
- Abra ambas puertas nuevamente y verifique que se cierran con la facilidad que usted desea. De lo contrario, incline el refrigerador ligeramente más hacia la parte posterior, girando las patas niveladoras hacia la izquierda. Puede tomar varias vueltas más, y usted deberá girar ambas patas niveladoras la misma cantidad de veces.

NOTA: Cada vez que necesite mover el refrigerador, gire las patas niveladoras hacia la derecha hasta que no toquen el piso. Esto permitirá que el refrigerador ruede con más facilidad.

Alineamiento de las puertas

Puede parecer que las puertas de un refrigerador que no esté nivelado de lado a lado no estén alineadas debidamente. Si las puertas parecen estar de esta manera, siga las instrucciones de la sección previa para verificar la nivelación.

Las puertas han sido diseñadas con alturas ligeramente diferentes cuando el refrigerador está vacío, para compensar por el peso de los alimentos que serán colocados en las puertas. Si las puertas aún no están alineadas después de verificar la nivelación y de poner alimentos en el refrigerador, siga los pasos a continuación para regular el alineamiento de las puertas.

- Si es necesario, abra ambas puertas 90° y quite la rejilla de la base. *Vea la ilustración 1.*
- Ubique el tornillo de alineamiento que está ubicado en la bisagra inferior de la puerta del refrigerador. *Vea la ilustración 9.*
- Use una llave de boca o una llave ajustable de $\frac{5}{16}$ " para girar el tornillo. Para levantar la puerta del refrigerador, gire el tornillo hacia la derecha. Para bajar la puerta, gire el tornillo hacia la izquierda.
- Verifique que las puertas estén niveladas en la parte de arriba. Si es necesario, continúe girando el tornillo de alineamiento hasta que las puertas queden alineadas.
- Abra ambas puertas a 90°. Vuelva a colocar la rejilla de la base. *Vea la ilustración 1.*

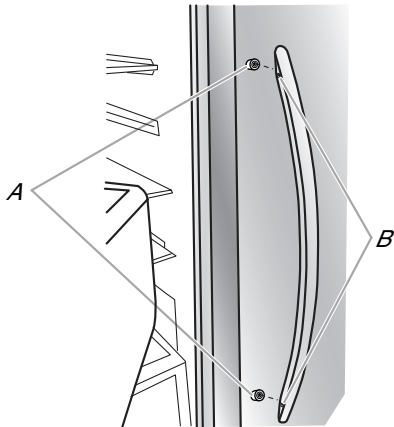
Cómo instalar y remover las manijas

PIEZAS INCLUIDAS: Manijas de puerta (2), llave hexagonal de $\frac{1}{8}$ " y tornillo(s) opresor(es) adicional(es)

Para instalar las manijas:

NOTA: Los tornillos opresores de montaje de la manija vienen preinstalados en la misma.

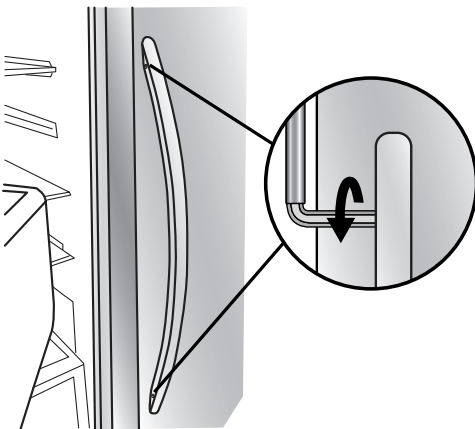
1. Quite las manijas que están en un paquete en el interior del refrigerador.
- NOTA:** Para evitar dañar el acabado, coloque las manijas sobre una toalla u otra superficie suave.
2. Abra la puerta del congelador. Sobre la puerta del refrigerador, coloque la manija sobre los tornillos de tope, con los tornillos opresores mirando hacia el congelador.



A. Tornillos de tope

B. Tornillos opresores dentro de la manija

3. Empuje con firmeza la manija hacia la puerta hasta que la base de la manija esté alineada contra la puerta.
4. Mientras sostiene la manija, inserte el extremo corto de la llave hexagonal en L dentro del orificio superior y gire ligeramente la llave hexagonal en L hasta que quede enganchada en el tornillo opresor.



5. Con un movimiento de reloj, apriete el tornillo opresor hasta que comience a hacer contacto con el tornillo de tope.
6. Repita los pasos 4 y 5 para comenzar a sujetar el tornillo opresor inferior.
7. Una vez que ambos tornillos opresores hayan sido apretados parcialmente como se indicó en los pasos anteriores, apriete por completo los tornillos opresores superior e inferior.

IMPORTANTE: Cuando los tornillos se sientan ajustados, apriételos un cuarto de giro adicional. La manija no está bien instalada si no la aprieta más de esta manera.

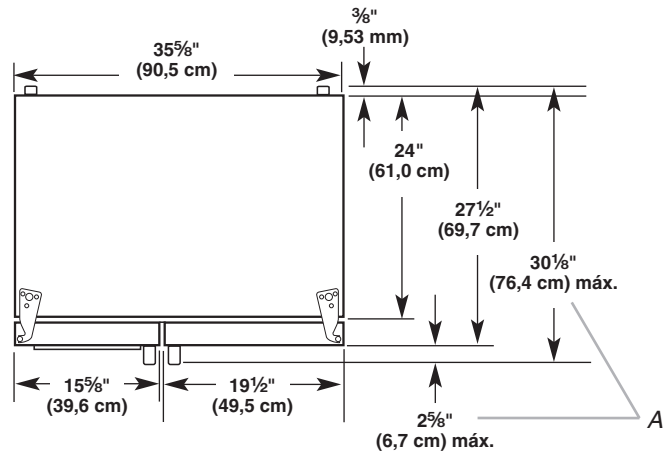
8. Abra la puerta del refrigerador y cierre la puerta del congelador. Repita los pasos 2 a 7 para instalar la otra manija sobre la puerta del congelador, con los tornillos opresores mirando hacia el refrigerador.
9. Guarde la llave hexagonal y todas las instrucciones.

Para quitar las manijas:

1. Mientras sostiene la manija, inserte el extremo corto de la llave hexagonal dentro del orificio inferior del tornillo opresor y gire ligeramente la llave hexagonal hasta que quede enganchada en el tornillo opresor.
2. Usando un movimiento contrario al del reloj, afloje el tornillo opresor un cuarto de vuelta por vez.
3. Repita los pasos 1 y 2 para el tornillo opresor superior. Jale con suavidad la manija para quitarla de la puerta.
4. Si es necesario, use un destornillador Phillips para quitar los tornillos de tope de la puerta.

Dimensiones del producto

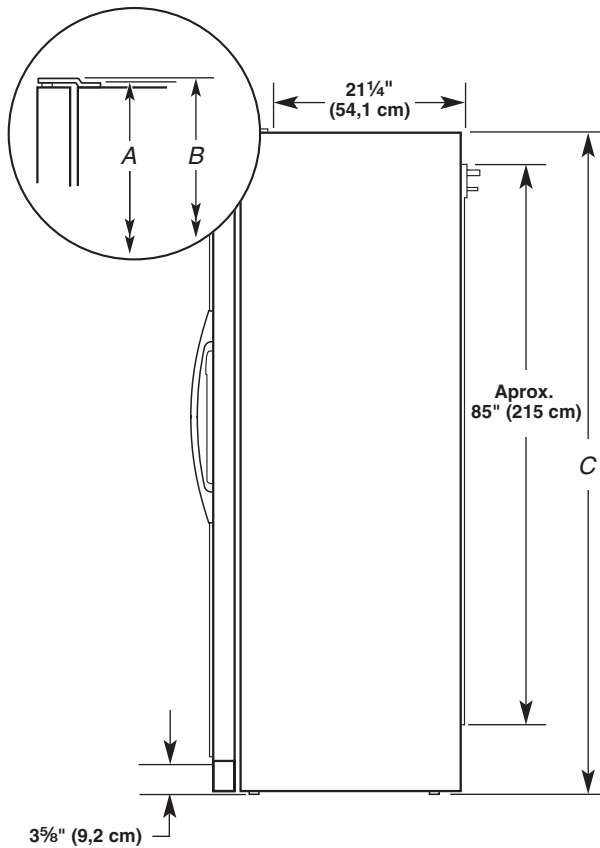
Vista superior



A. Las dimensiones pueden variar según el modelo.

Vista lateral

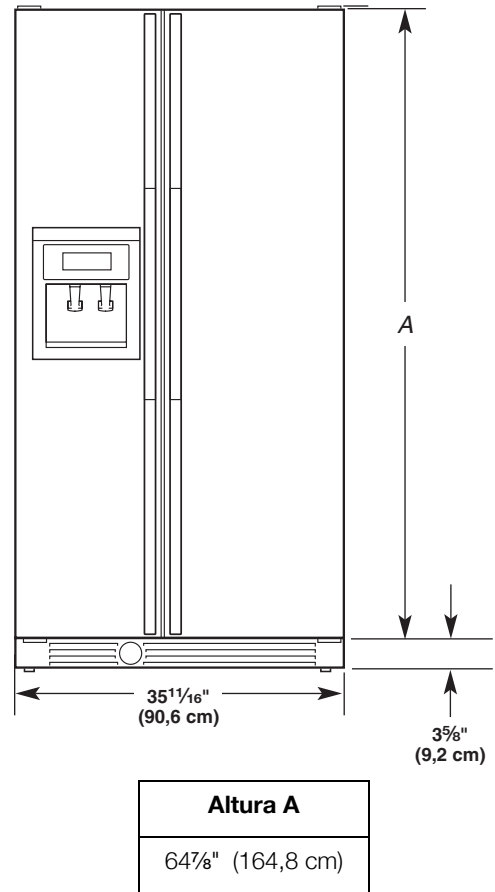
- Las medidas de altura indicadas consideran las patas niveladoras extendidas a la altura mínima de ¼" (6,35 mm) por debajo del refrigerador.
- El cable de suministro de energía es de aproximadamente 85" (215 cm) de largo.



A	B	C
68¾" (174,6 cm)	68⅞" (175,0 cm)	68½" (174,0 cm)

Cuando las patas niveladoras están totalmente extendidas a 1" (25 mm) por debajo del refrigerador, agregue ¾" (19 mm) a las medidas de altura.

Vista frontal

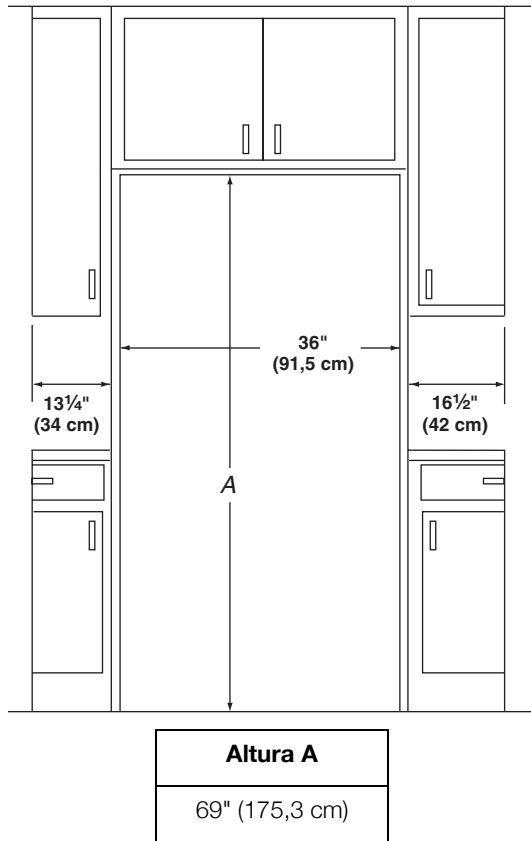


Medidas de la abertura

- Las medidas de altura indicadas consideran las patas niveladoras extendidas a la altura mínima de ¼" (6,35 mm) por debajo del refrigerador.

NOTA: Cuando las patas niveladoras están totalmente extendidas a 1" (25 mm) por debajo del refrigerador, agregue ¾" (19 mm) a las medidas de altura.

- La posición que tiene que tener como mínimo con respecto a la pared fija es de 13¼" (34 cm) desde la puerta del congelador y 16½" (42 cm) desde la puerta del refrigerador.



Requisitos de ubicación

⚠ ADVERTENCIA



Peligro de explosión

Mantenga los materiales y vapores inflamables, tales como gasolina, alejados del refrigerador.

No seguir esta instrucción puede ocasionar la muerte, explosión o incendio.

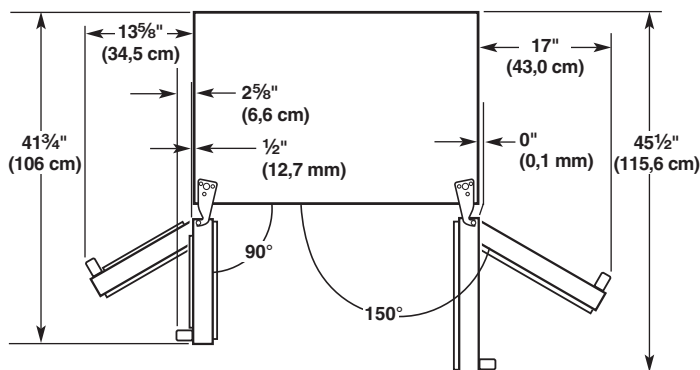
NOTAS:

- El refrigerador con profundidad de armario puede ser instalado en un lugar empotrado, en un extremo de los armarios, o como un refrigerador independiente.
- Si está instalando el refrigerador para que quede a nivel con el frente de los armarios inferiores, se deben quitar todas las molduras de pie y los zócalos de la abertura trasera del refrigerador. Deje un espacio de 1" (2,54 cm) detrás del refrigerador.
- La ubicación debe permitir que las puertas abran totalmente. Vea la sección "Medidas de oscilación de las puertas".
- Este refrigerador ha sido diseñado para usarse en un lugar en donde los rangos de temperatura varíen entre un mínimo de 55 °F (13 °C) y un máximo de 110 °F (43 °C). Para un óptimo rendimiento, el rango preferido de temperatura de la habitación (que reduce el uso de electricidad y provee un enfriamiento superior) es entre 60 °F (15 °C) y 90 °F (32 °C). No se recomienda instalar el refrigerador cerca de una fuente de calor, como puede ser un horno o un radiador.
- El piso debe soportar el peso del refrigerador (más de 600 lb [272 kg], paneles de puerta y contenido).

Medidas de oscilación de las puertas

La ubicación debe permitir que las puertas se abran a un mínimo de 150°. Deje un espacio mínimo de 13¼" (34 cm) entre la pared lateral y la parte del congelador del refrigerador. Deje un espacio mínimo de 16½" (42 cm) entre la pared lateral y parte del refrigerador.

NOTA: Las dimensiones pueden variar según el modelo.



Requisitos eléctricos

⚠ ADVERTENCIA



Peligro de descarga eléctrica

Enchufe en un contacto con conexión a tierra.

No quite la terminal de conexión a tierra.

No use un adaptador.

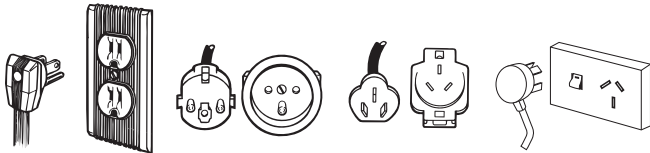
No use un cable eléctrico de extensión.

No seguir estas instrucciones puede ocasionar la muerte, incendio o descarga eléctrica.

Antes de mover el refrigerador a su ubicación final, es importante asegurarse que tiene la conexión eléctrica adecuada:

Método de conexión a tierra recomendado

Se necesita un suministro eléctrico de 115 Voltios, 60 Hz (Enchufe 1), 220/240 Voltios 50 Hz (Enchufes 2 ó 3) ó 220 Voltios, 60 Hz (Enchufe 3), CA solamente y con fusibles de 10 amperios, conectado a tierra.



Enchufe 1 Enchufe 2 Enchufe 3 Enchufe 4

Se recomienda utilizar un circuito separado sólo para su refrigerador. Use un tomacorriente que no se pueda apagar con un interruptor ni con una cadenilla de tiro. No use un cable eléctrico de extensión.

⚠ ADVERTENCIA



Peligro de descarga eléctrica

Desconecte el suministro de energía antes de darle servicio.

Vuelva a colocar todas las piezas y paneles antes de ponerlo a funcionar.

No seguir esta instrucción puede ocasionar la muerte o descarga eléctrica.

NOTA: Antes de realizar cualquier tipo de instalación, limpieza o de quitar un foco de luz, gire el control (del termostato, del refrigerador o del congelador dependiendo del modelo) hacia la posición OFF (APAGADO) y luego desconecte el refrigerador de la fuente de energía. Cuando haya terminado, reconecte el refrigerador a la fuente de energía eléctrica y vuelva a fijar el control (del termostato, del refrigerador o del congelador dependiendo del modelo) en la posición deseada.

Para Australia y Nueva Zelanda:

Su electrodoméstico ha sido fabricado especialmente para cumplir con todas las normas y condiciones australianas.

Algunas notas en las instrucciones de instalación se pueden referir a requisitos eléctricos de otros países, así que le llamamos la atención hacia dichas notas en particular.

El electrodoméstico se debe conectar a un contacto con conexión a tierra de 230/240 Voltios, 50 Hz, 10 amperios (Enchufe 4), de CA solamente.

Requisitos del suministro de agua (en algunos modelos)

Reúna las herramientas y piezas necesarias antes de comenzar la instalación. Lea y siga las instrucciones provistas con cualquiera de las herramientas enlistadas aquí.

HERRAMIENTAS NECESARIAS:

- Destornillador de hoja plana
- Llaves de boca de 7/16" y 1/2"
- Llave de tuercas de 1/4"
- Broca de 1/4"
- Taladro inalámbrico

NOTA: El distribuidor de su refrigerador tiene un juego de válvula de cierre tipo montura de 1/4" (6,35 mm), una unión y tubería de cobre. Antes de comprar, asegúrese de que la válvula tipo montura cumple con los códigos de plomería locales. No use una válvula perforadora o una válvula de montura de 3/16" (4,76 mm) que reduce el flujo de agua y se obstruye con más facilidad.

IMPORTANTE:

- Todas las instalaciones deben hacerse de acuerdo a los requisitos locales de plomería.
- Use tubería de cobre y revise si hay fugas. Instale la tubería de cobre sólo en áreas donde la temperatura vaya a permanecer por encima del punto de congelación.

Presión del agua

Se necesita un suministro de agua fría potable con presión de agua entre 30 y 87 lb/pulg² (207 y 600 kPa) para hacer funcionar el despachador de agua y la fábrica de hielo. Si tiene preguntas acerca de la presión del agua, llame a un plomero competente autorizado.

Suministro de agua por ósmosis inversa

IMPORTANTE: La presión del suministro de agua que sale de un sistema de ósmosis inversa y va a la válvula de entrada de agua del refrigerador necesitará ser de entre 30 y 87 lbs/pulg² (207 y 600 kPa).

Si se conecta un sistema de filtración de agua de ósmosis inversa al suministro de agua fría, la presión de agua al sistema de ósmosis inversa deberá ser de un mínimo de 40 a 60 lbs/pulg² (276 a 414 kPa).

Si la presión de agua hacia el sistema de ósmosis inversa es menor de 40 a 60 lbs/pulg² (276 a 414 kPa):

- Fíjese si el filtro de sedimentos en el sistema de ósmosis inversa está bloqueado. Reemplácelo si fuera necesario.
- Deje que se vuelva a llenar el tanque de almacenaje del sistema de ósmosis inversa después del uso intenso.
- Si su refrigerador tiene un filtro de agua, se podrá reducir la presión aún más si se usa en conjunto con un sistema de ósmosis inversa. Saque el filtro de agua. Vea "Sistema de filtración de agua".

Si tiene preguntas acerca de la presión del agua, llame a un plomero competente autorizado.

Conexión del suministro de agua (en algunos modelos)

Lea todas las instrucciones antes de comenzar.

IMPORTANTE:

- La tubería se debe instalar de acuerdo con el Código de Plomería Internacional y cualquier norma y ordenanza local.
- La tubería gris de agua en la parte posterior del refrigerador (que se utiliza para conectar con la línea de agua del hogar) es un tubo PEX (polietileno reticulado). Las conexiones de tuberías de cobre y PEX de la línea de agua del hogar al refrigerador son aceptables y ayudarán a evitar mal sabor u olor en el hielo o agua. Revise si hay fugas.

Si se utilizan tuberías PEX en lugar de las de cobre, recomendamos los siguientes números de piezas de Whirlpool:

W10505928RP (PEX aislado de 7 pies [2,14 m]),
8212547RP (PEX de 5 pies [1,52 m]), o bien
W10267701RP (PEX de 25 pies [7,62 m]).

- Instale la tubería sólo en áreas donde la temperatura va a permanecer por encima del punto de congelación.

- Para Australia y Nueva Zelanda: Si la presión del agua excede 599 kPa (87 lb/pulg²), un plomero calificado debe instalar un dispositivo para restringir la presión.

Herramientas necesarias:

Reúna las herramientas y piezas necesarias antes de comenzar la instalación.

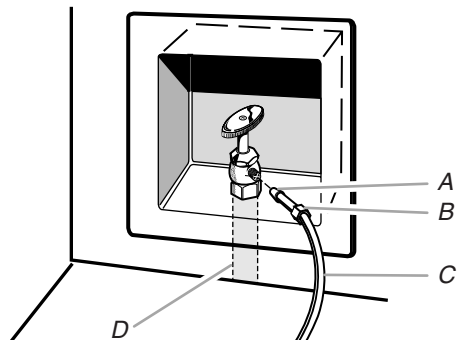
- Destornillador de hoja plana
- Llaves de boca de 7/16" y 1/2" o dos llaves ajustables
- Llave de tuercas de 1/4"

Conexión a la línea de agua

IMPORTANTE: Si usa el refrigerador antes de conectar la tubería de agua, ponga la fábrica de hielo en la posición OFF (APAGADO).

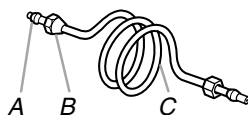
1. Desenchufe el refrigerador o desconecte el suministro de energía.
2. CIERRE el suministro principal de agua. ABRA la llave de agua más cercana el tiempo suficiente para que la tubería de agua se vacíe.
3. Use una válvula de cierre de un cuarto de vuelta o una equivalente, abastecida por una línea de cobre de suministro del hogar de 1/2".

NOTA: Se recomienda una línea de cobre de suministro doméstica, de un mínimo de 1/2" para permitir el flujo suficiente de agua al refrigerador.



A. Foco
B. Tuerca
C. Tubería de cobre (al refrigerador)
D. Línea de suministro del hogar (mínimo de 1/2'')

4. Ahora está listo para conectar la tubería de cobre a la válvula de cierre. Use tubería de cobre blando de 1/4" (6,35 mm) de diámetro exterior, para conectar la válvula de cierre y el refrigerador.
 - Asegúrese de tener la longitud adecuada necesaria para el trabajo. Asegúrese que ambos extremos de la tubería de cobre están cortados a escuadra.
 - Deslice la manga de compresión y la tuerca de compresión sobre la tubería de cobre como se muestra. Inserte el extremo de la tubería en el extremo de salida hasta donde sea posible. Atornille la tuerca de compresión al extremo de salida con una llave de tuercas ajustable. No apriete demasiado.



A. Manga de compresión
B. Tuerca de compresión
C. Tubería de cobre

5. Coloque el extremo libre de la tubería en un recipiente o un fregadero, abra el suministro principal del agua y deje correr el agua por la tubería hasta que el agua salga limpia. Cierre la válvula de cierre del tubo de agua.

NOTA: Siempre desagüe la tubería de agua antes de efectuar la conexión final al orificio de entrada de la válvula de agua para evitar un probable mal funcionamiento de la válvula de agua.

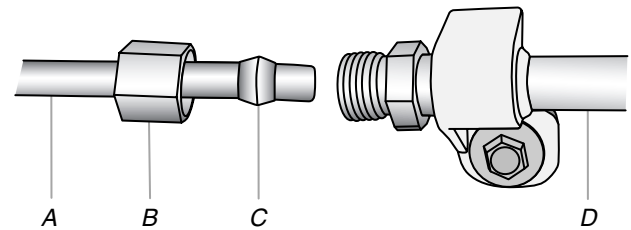
6. Doble la tubería de cobre para que alcance la entrada de la línea de agua, la cual está ubicada en la parte posterior de la carcasa del refrigerador, como se muestra. Deje un serpentín de tubería de cobre para que se pueda sacar el refrigerador del armario, lejos de la pared, para el servicio.

Conexión al refrigerador

Estilo 1

1. Desenchufe el refrigerador o desconecte el suministro de energía.
2. Quite y deseche la parte corta de plástico negro del extremo de la entrada de la línea de agua.
3. Enrosque la tuerca en el extremo de la tubería. Apriete la tuerca a mano. Luego apriétela dos vueltas con una llave de tuercas. No apriete demasiado.

NOTA: Para evitar ruidos molestos, asegúrese de que la tubería de cobre no toque la pared lateral de la carcasa u otras partes dentro de la carcasa.



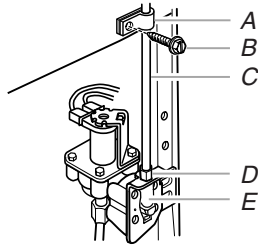
A. Línea de agua del hogar
B. Tuerca (adquirida)
C. Férula (adquirida)
D. Tubería de agua del refrigerador

4. Instale la abrazadera para tubos de suministro de agua alrededor de la línea de suministro de agua, para reducir la tensión en el acoplamiento.
5. ABRA la válvula de cierre.
6. Revise si hay fugas. Ajuste las conexiones (incluso las de la válvula) o tuercas que tienen fugas.

Estilo 2

1. Desenchufe el refrigerador o desconecte el suministro de energía.
2. Quite y deseche la parte de plástico que está sujeta a la entrada de la válvula de agua.
3. Fije el tubo de cobre a la entrada de la válvula usando una tuerca de compresión y manga de compresión, como se muestra. Ajuste la tuerca de compresión. No apriete demasiado.
4. Use la abrazadera para tubería en la parte trasera del refrigerador para asegurar la tubería al refrigerador, como se muestra. Esto ayudará a evitar daños en la tubería cuando el refrigerador se empuje nuevamente contra la pared.
5. ABRA la válvula de cierre.

- Revise si hay fugas. Ajuste las conexiones (incluso las de la válvula) o tuercas que tengan fugas.



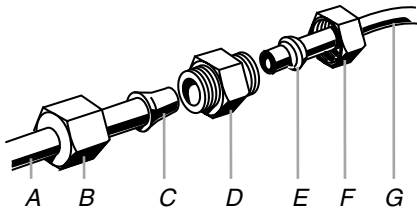
- A. abrazadera para tubería
 B. Tornillo de la abrazadera para tubería
 C. Tubería de cobre
 D. Tuerca de compresión
 E. Entrada de la válvula

- En algunos modelos, la fábrica de hielo está equipada con un filtro de agua incorporado. Si las condiciones del agua local requieren un segundo filtro de agua, se debe instalar en la línea de agua de 1/4" (6,35 mm) en cualquiera de las conexiones de la tubería. Obtenga un filtro de agua del distribuidor de electrodomésticos más cercano a su domicilio.

Estilo 3

- Desenchufe el refrigerador o desconecte el suministro de energía.
- Retire y descarte el tapón de plástico negro del tubo gris de agua en la parte trasera del refrigerador.
- Si el tubo de agua gris suministrado con el refrigerador no es suficientemente largo, se necesitará un acoplamiento de 1/4" x 1/4" (6,35 mm x 6,35 mm), para poder conectar la tubería de agua a la línea de agua de la casa. Enrosque la tuerca provista sobre el acoplamiento en el extremo de la tubería de cobre.

NOTA: Apriete la tuerca a mano. Luego apriétela dos vueltas con una llave de tuercas. No apriete demasiado.



- A. Tubería de agua del refrigerador
 B. Tuerca (provista)
 C. Bulbo
 D. Acoplamiento (adquirido)
 E. Férula (adquirida)
 F. Tuerca (adquirida)
 G. Línea de agua de la casa

- ABRA la válvula de cierre.
- Revise si hay fugas. Apriete aquellas tuercas o conexiones que tengan fugas (incluidas las conexiones en la válvula).

Estilo 4

- Desenchufe el refrigerador o desconecte el suministro de energía.
- Conecte la manguera provista a la salida de la válvula del agua en la parte posterior del refrigerador.

Complete la instalación

⚠️ ADVERTENCIA



Peligro de descarga eléctrica

Enchufe en un contacto con conexión a tierra.

No quite la terminal de conexión a tierra.

No use un adaptador.

No use un cable eléctrico de extensión.

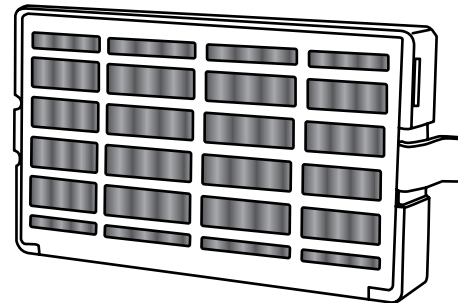
No seguir estas instrucciones puede ocasionar la muerte, incendio o descarga eléctrica.

- Enchufe en un contacto con conexión a tierra.
- Enjuague el sistema de agua. Vea "Preparación del sistema de agua" o "Despachadores de agua y hielo".

NOTA: Deje transcurrir 24 horas para la producción del primer lote de hielo. Deje transcurrir 3 días para que se vuelva a llenar de hielo el recipiente.

Instalación del filtro de aire (en algunos modelos)

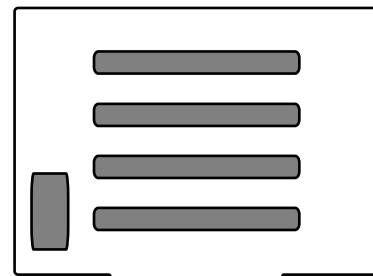
En algunos modelos, el paquete de accesorios del refrigerador incluye un filtro de aire, el cual debe instalarse antes del uso. En algunos modelos, el filtro de aire ya está instalado de fábrica.



El filtro de aire reduce la acumulación de olores. Esto ayuda a mantener un ambiente más limpio dentro del refrigerador.

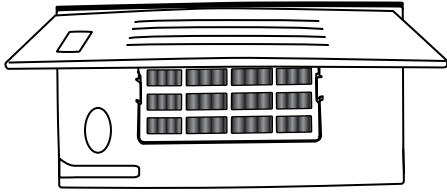
Instale el filtro de aire (en algunos modelos)

El filtro se debe instalar detrás de la puerta con aberturas de ventilación, la cual está ubicada (según su modelo), a lo largo de la pared interior posterior o del lado izquierdo, cerca de la parte superior del compartimiento del refrigerador.



- Saque el filtro de aire del paquete.

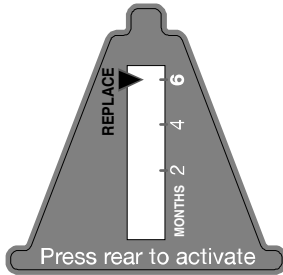
- Levante la puerta con orificios de ventilación para abrirla.
- Encaje el filtro en su lugar.



- Cierre la puerta de ventilación.

Cómo instalar el indicador de estado del filtro (en algunos modelos)

El filtro viene con un indicador de estado, el cual se debe activar e instalar en el mismo momento que se instala el filtro de aire.



- Coloque el indicador boca abajo sobre una superficie firme y plana.
- Aplice presión sobre la burbuja ubicada en la parte posterior del indicador, hasta que ésta se reviente para activar el indicador.
- Levante la puerta con orificios del filtro de aire para abrirla. En algunos modelos hay muescas detrás de la puerta.
- En los modelos con muescas:**
 - Deslice el indicador hacia abajo, dentro de las muescas, mirando hacia afuera.

NOTA: El indicador no se deslizará fácilmente dentro de las muescas si no se ha reventado la burbuja trasera.

- Cierre la puerta del filtro de aire y revise que el indicador esté visible a través del orificio rectangular en la puerta.

En los modelos sin muescas:

- Guarde el indicador en un lugar visible que pueda recordar fácilmente; dentro del refrigerador o en otro lugar de la cocina o del hogar.

Cómo reemplazar el filtro de aire

El filtro de aire desechable deberá reemplazarse cada 6 meses, cuando el indicador de estado haya cambiado de blanco a rojo completamente.

Para pedir un filtro de aire de repuesto, vea "Accesorios".

- Quite el filtro de aire viejo apretando las lengüetas laterales hacia dentro.
- Quite el indicador de estado viejo.
- Instale el nuevo filtro de aire y el nuevo indicador de estado siguiendo las instrucciones en las secciones anteriores.

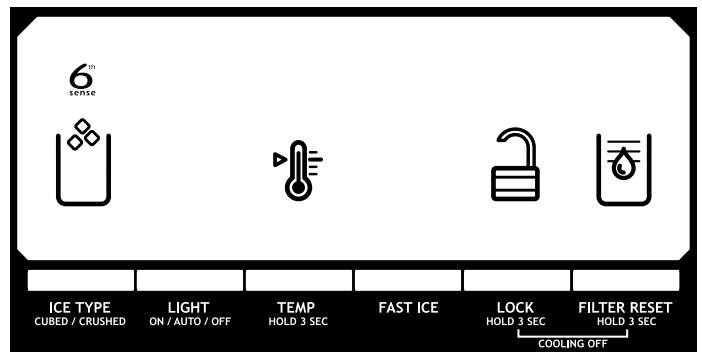
USO DEL REFRIGERADOR

Uso de los controles

Los controles del refrigerador y del congelador están ubicados en el panel del despachador.

IMPORTANTE: La pantalla en el panel de control del despachador se apagará automáticamente, e ingresará al modo de "dormir" cuando los botones del control y las paletas del despachador no se hayan utilizado por 2 minutos o más. Mientras esté en el modo de "dormir", al presionar por primera vez un botón de control solamente se reactivará la pantalla, sin cambiar ningún ajuste. Después de haberse reactivado, se pueden realizar cambios a cualquiera de los ajustes. Si no se hacen cambios en menos de 2 minutos, la pantalla volverá a ingresar al modo de "dormir".

- Toque cualquier botón del control en el panel del despachador para activar la pantalla. La pantalla principal aparecerá como se muestra.



Cómo regular los controles

Para su comodidad, los controles de su refrigerador y congelador vienen prefijados de fábrica. Al instalar su refrigerador por primera vez, cerciórese de que los controles aún estén en los "ajustes medios". Los puntos de ajuste recomendados de fábrica son 37°F (3°C) para el refrigerador y 0°F (-18°C) para el congelador.

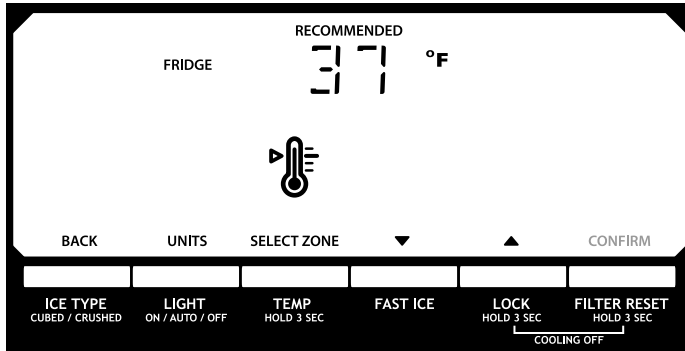
IMPORTANTE:

- Espere 24 horas antes de colocar alimentos en el refrigerador. Si agrega alimentos antes de que el refrigerador se haya enfriado por completo, sus alimentos podrían echarse a perder.

NOTA: El poner los puntos de ajuste un ajuste más frío que el recomendado, no hará que el compartimento se enfríe más rápido.

- Si la temperatura está demasiado caliente o demasiado fría en el refrigerador o en el congelador, antes de regular los controles, revise primero los conductos de ventilación para cerciorarse de que no estén obstruidos.
- Los ajustes prefijados deben ser los correctos para un uso doméstico normal. Los controles están ajustados correctamente cuando la leche o los jugos están tan fríos como Ud. desea y cuando el helado tiene consistencia firme.
- Espere por lo menos 24 horas entre ajustes. Vuelva a verificar las temperaturas antes de realizar otros ajustes.

Para ver y regular los puntos de ajuste, presione y sostenga el botón de TEMP (TEMPERATURA) por 3 segundos. Cuando se activa el modo de regulación, la información de ajuste aparecerá en la pantalla.



NOTA: Para ver la temperatura en grados Celsius, presione el botón de LIGHT (LUZ) cuando el modo de ajuste esté activado. Para fijar el ajuste en grados Fahrenheit nuevamente, presione LIGHT (LUZ) nuevamente.

- Cuando se activa el modo de ajuste, la pantalla muestra el punto de ajuste del refrigerador y aparece “FRIDGE” (REFRIGERADOR).
- Presione LOCK (BLOQUEAR) para aumentar el punto de ajuste, o presione FAST ICE (HIELO RÁPIDO) para bajarlo.
- Cuando haya terminado de ver (y ajustar si lo desea) el punto de ajuste del refrigerador, presione TEMP (TEMPERATURA) para que se muestre el punto de ajuste del congelador en la pantalla. Cuando el área se haya cambiado, aparecerá “FREEZER” (CONGELADOR) en la pantalla.
- Presione LOCK (BLOQUEAR) para aumentar el punto de ajuste, o presione FAST ICE (HIELO RÁPIDO) para bajarlo.
- Cuando haya terminado de ver (y ajustar si lo desea) los puntos de ajuste del refrigerador y del congelador, presione FILTER (FILTRO) para guardar los ajustes.

NOTA: Para salir sin guardar los cambios, presione ICE TYPE (TIPO DE HIELO) en cualquier momento mientras se encuentre en el modo de ajuste, o espere aproximadamente 60 segundos de inactividad y el modo de ajuste se apagará automáticamente.

Cuando regule los puntos de ajuste de la temperatura, utilice el siguiente cuadro como guía.

CONDICIÓN:	REGULACIÓN DE LA TEMPERATURA:
REFRIGERADOR demasiado frío	Ajuste del REFRIGERADOR 1° más alto
REFRIGERADOR demasiado caliente	Ajuste del REFRIGERADOR 1° más bajo
CONGELADOR demasiado frío	Ajuste del CONGELADOR 1° más alto
CONGELADOR demasiado caliente/ muy poco hielo	Ajuste del CONGELADOR 1° más bajo

El rango de punto de ajuste para el refrigerador es de 33 °F a 45 °F (0 °C a 7 °C). El rango de punto de ajuste para el congelador es de -5 °F a 5 °F (-21 °C a -15 °C).

Encendido/Apagado del enfriamiento

Su refrigerador y congelador no se enfriarán cuando el enfriamiento esté apagado.

- Para apagar el enfriamiento, presione y sostenga los botones de LOCK (BLOQUEAR) y FILTER (FILTRO) al mismo tiempo, por 3 segundos.

IMPORTANTE: Para evitar bloquear involuntariamente el despachador o cambiar otros ajustes, asegúrese de presionar ambos botones exactamente al mismo tiempo.

Cuando esté apagado el enfriamiento, aparecerá “COOLING OFF” (ENFRIAMIENTO APAGADO) en la pantalla.

- Presione y sostenga nuevamente LOCK (BLOQUEAR) y FILTER (FILTRO) por 3 segundos para volver a encender el enfriamiento.

Características adicionales

Fast Ice (Hielo rápido)

La característica Fast Ice (Hielo rápido) ayuda en los períodos temporarios de alto consumo de hielo, al aumentar la producción de hielo en un período de 24 horas.

IMPORTANTE: Esta característica funciona solamente si está encendida la fábrica de hielo. Vea “Fábrica de hielo y depósito”.

- Presione FAST ICE para encender la característica de Fast Ice (Hielo rápido). Cuando la característica está encendida, el ícono de hielo rápido aparecerá en la pantalla del despachador. El ajuste de Hielo rápido permanecerá encendido durante 24 horas a menos que se apague manualmente.



- Para apagar manualmente la característica Fast Ice (Hielo rápido), presione FAST ICE nuevamente para regular el punto de ajuste del congelador. El ícono de Hielo rápido desaparecerá cuando se apague la característica.

NOTA: Si desea en todo momento un aumento en la producción del hielo, cambie el punto de ajuste del congelador a un ajuste más bajo. El ajustar el congelador en una temperatura más fría puede endurecer más algunos alimentos tales como el helado.

Manejo de temperatura 6th Sense

La característica 6th Sense ayuda a regular la temperatura en el interior del refrigerador. Si se coloca una gran cantidad de comida tibia en el refrigerador, o si entra aire tibio al refrigerador cuando la puerta está abierta, el sistema 6th Sense se activa para restablecer rápidamente la temperatura al punto fijo.



NOTA: El sistema 6th Sense está encendido siempre que su refrigerador esté funcionando. Usted no necesita presionar ningún botón para activarlo. El ícono de 6th Sense en la pantalla del despachador indica que la característica está funcionando correctamente.

Alarma de puerta entreabierta

La característica de Alarma de puerta entreabierta hace sonar una alarma cuando la puerta del refrigerador o del congelador permanece abierta durante 5 minutos y está funcionando el enfriamiento del producto. La alarma se repetirá cada 2 minutos. Cierre ambas puertas para apagarla. La característica se vuelve a fijar entonces y se reactivará cuando se deje nuevamente cualquier puerta abierta durante 5 minutos.

NOTA: Para silenciar la alarma audible mientras mantiene las puertas abiertas, como por ejemplo al limpiar el interior del refrigerador, presione cualquier botón en el panel de control. El sonido de la alarma estará apagado temporalmente, pero el ícono de Door Ajar (Puerta entreabierta) seguirá apareciendo en la pantalla del panel de control del despachador.



Evaporador dual (en algunos modelos)

Algunos modelos están provistos de un sistema de dos evaporadores secuenciales, el cual consiste en dos evaporadores separados para los compartimientos del refrigerador y del congelador.

Al tener una evaporación dual, se ocasionará una mayor humedad, lo que ayuda a que los alimentos en el refrigerador no se echen a perder tan rápido y mejora la calidad y la frescura de los alimentos en el congelador, debido a que los alimentos se secan menos en el mismo. Además, el sistema de evaporación dual evita que el olor de los alimentos se transfiera al hielo en el congelador.

NOTA: El sistema de evaporación dual siempre se activa cuando su refrigerador está funcionando. Usted no necesita presionar ningún botón para encenderlo.

Control de temperatura del cajón convertible (en algunos modelos)

Puede ajustarse el control para que enfríe de manera apropiada las carnes o los vegetales. El aire dentro de la charola se enfría para evitar que partes de los alimentos se congelen y puede ajustarse para mantener la carne a las temperaturas de almacenaje recomendadas por el National Livestock and Meat Board (Consejo Nacional de Ganado y Carnes) de 28° a 32°F (-2° a 0°C).

Para guardar la carne:

Fije el control en uno de los tres ajustes de MEAT (CARNE), para guardar la carne en su temperatura ideal de almacenaje.

Para guardar verduras:

Fije el control en VEG (VERDURAS) para guardar las verduras en sus temperaturas óptimas de almacenaje.

NOTA: Si los alimentos se empiezan a congelar, mueva el control hacia la derecha (menos frío), hacia el ajuste de VEG (VEGETALES). Recuerde que debe esperar 24 horas entre ajustes.

Control de humedad del cajón para verduras (en algunos modelos)

Usted puede controlar el nivel de humedad en el cajón hermético para verduras. Regule el control a cualquier ajuste entre LOW (BAJO) y HIGH (ALTO).

LOW (BAJO - posición abierta) para el mejor almacenamiento de frutas y verduras con cáscaras.

HIGH (ALTO - posición cerrada) para el mejor almacenamiento de vegetales de hoja frescos.

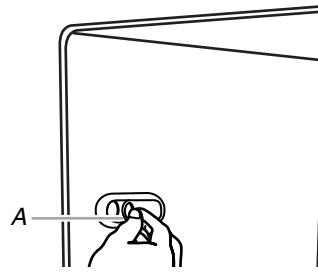
Depósito enfriador de la puerta (en algunos modelos)

El aire frío del congelador es dirigido hacia el depósito de la puerta del refrigerador directamente por debajo de los orificios de ventilación.

NOTA: El compartimiento para productos lácteos y el portalatas no están asociados con la característica del depósito enfriador de la puerta.

Control del depósito enfriador de la puerta

El control del depósito enfriador de la puerta está situado del lado izquierdo del compartimiento del refrigerador.



A. Control del depósito enfriador de la puerta

- Deslice el control del depósito enfriador de la puerta hacia la izquierda para reducir el flujo de aire frío hacia el depósito y hacerlo menos frío.
- Deslice el control del depósito enfriador de la puerta hacia la derecha para incrementar el flujo de aire frío hacia el depósito y hacerlo más frío.

Despachadores de agua y hielo

IMPORTANTE: Después de haber conectado el refrigerador a un suministro de agua o de haber reemplazado el filtro de agua, enjuague el sistema de agua. Use un recipiente resistente para oprimir y sostener la almohadilla del despachador de agua durante 5 segundos, luego suéltela durante 5 segundos. Repita hasta que el agua comience a correr. Una vez que el agua haya comenzado a correr, continúe presionando y soltando la almohadilla del despachador (5 segundos activado, 5 segundos desactivado) hasta despachar un total de 3 gal (12 L). Esto eliminará el aire en el filtro y en el sistema de despachado de agua, y preparará el filtro de agua para ser usado. En algunas casas se podrá requerir enjuague adicional. A medida que sale aire del sistema, es posible que salgan chorros de agua repentinos del despachador.

NOTAS:

- El sistema de distribución no funcionará cuando la puerta del congelador esté abierta.
- Deje que pasen 24 horas para que el refrigerador se enfríe y pueda enfriar el agua.
- Deje transcurrir 24 horas para la producción del primer lote de hielo. Deshégase de los tres primeros lotes de hielo producidos. Deje transcurrir 72 horas para la producción total de hielo.

- La pantalla en el panel de control del despachador se apagará automáticamente, e ingresará al modo de “dormir” cuando los botones del control y las paletas del despachador no se hayan utilizado por 2 minutos o más. Mientras esté en el modo de “dormir”, al presionar por primera vez un botón de control solamente se reactivará la pantalla, sin cambiar ningún ajuste. Después de haberse reactivado, se pueden realizar cambios a cualquiera de los ajustes. Si no se hacen cambios en menos de 2 minutos, la pantalla volverá a ingresar al modo de “dormir”.

El despachador de agua

IMPORTANTE:

- Despache por lo menos 1 qt (1 L) de agua cada semana para mantener un suministro fresco.
- Si disminuye el flujo de agua desde el despachador, puede ser debido a una presión de agua baja.
 - Quite el filtro de agua y despache 1 taza (237 mL) de agua. Si 1 taza de agua se despacha en 8 segundos o menos, la presión de agua al refrigerador satisface el requisito mínimo.
 - Si demora más de 8 segundos en despachar 1 taza de agua, esto significa que la presión de agua al refrigerador es más baja de la recomendada. Vea “Requisitos del suministro de agua” o “Solución de problemas” para posibles soluciones.
- Limite el tiempo en el que despacha agua a un máximo de 2 minutos cada vez.

Para despachar agua:

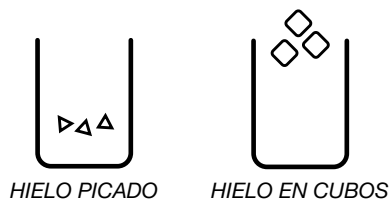
1. Oprima un vaso resistente contra la palanca del despachador de agua.
2. Retire el vaso para detener la salida de agua.

El despachador de hielo

El hielo se distribuye del recipiente de almacenamiento de la fábrica de hielo en el congelador cuando se presione la almohadilla del despachador. Para apagar la fábrica de hielo, vea “Fábrica de hielo y depósito”.

Su fábrica de hielo produce hielo picado y en cubos. Antes de sacar hielo, seleccione el tipo de hielo que desea, presionando el botón de ICE TYPE (TIPO DE HIELO).

La pantalla indica qué tipo de hielo se ha seleccionado.



Para obtener hielo picado, los cubos de hielo se trituran antes de despacharse. Esto puede retrasar un poco la distribución del hielo picado. El ruido proveniente del triturador de hielo es normal y los trozos de hielo pueden variar en tamaño. Cuando cambie de la posición de hielo picado a cubos, caen unas onzas de hielo picado junto con los primeros cubos.

Para despachar hielo:

1. Asegúrese de seleccionar el tipo de hielo deseado. Para cambiar de hielo en cubos a hielo picado, presione ICE TYPE (TIPO DE HIELO).

⚠ ADVERTENCIA



Peligro de cortaduras

Use un vaso resistente para recibir hielo del despachador.

No seguir esta instrucción puede ocasionar cortaduras.

2. Oprima con un vaso resistente la almohadilla del despachador de hielo. Sostenga el vaso junto al orificio del despachador para que el hielo no caiga fuera del vaso.

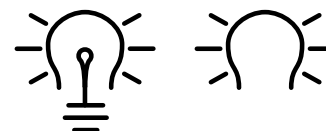
IMPORTANTE: No necesita aplicar mucha presión a la almohadilla para activar el despachador de hielo. Oprimir fuerte no hará que el despachador funcione con más rapidez o produzca mayor cantidad de hielo.
3. Retire el vaso para detener la salida de hielo.

NOTA: El hielo puede continuar saliendo durante varios segundos después de haber retirado el vaso de la almohadilla. El despachador puede continuar haciendo ruido por algunos segundos después de haber despachado.

IMPORTANTE: Limite el tiempo en el que despacha hielo a un máximo de 2 minutos cada vez.

La luz del despachador

Cuando usted utilice el despachador, la luz se encenderá automáticamente. Si usted desea que la luz esté encendida continuamente, puede elegir ON (ENCENDIDO) o DIM (TENUE). La pantalla indica cuál es el modo seleccionado.



ENCENDIDO

TENUE

ENCENDIDO: Presione LIGHT (LUZ) para encender la luz del despachador.

DIM (TENUE): Presione LIGHT por segunda vez para seleccionar el modo TENUE. La luz del despachador permanecerá encendida, pero a una intensidad más baja.

OFF (APAGADO): Presione LIGHT por tercera vez para apagar la luz del despachador.

Las luces del despachador son LEDs y no se pueden cambiar. Si parece que las luces del despachador no están funcionando, vea “Solución de problemas” para obtener más información.

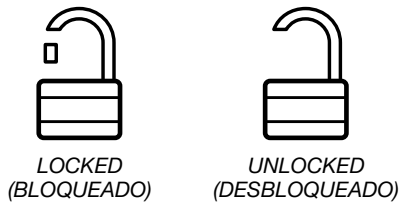
El bloqueo del despachador

El despachador puede apagarse para facilitar la limpieza o para evitar que sea activado accidentalmente por niños pequeños o animales domésticos.

NOTA: La función de bloqueo no interrumpe el flujo eléctrico al refrigerador, a la fábrica de hielo o a la luz del despachador. Únicamente desactiva los controles y las almohadillas del despachador. Para apagar la fábrica de hielo, vea “Fábrica de hielo y depósito”.

- Presione y sostenga LOCK (BLOQUEO) durante 3 segundos para bloquear el despachador.
- Presione y sostenga LOCK (BLOQUEO) por segunda vez para desbloquear el despachador.

La pantalla indica cuándo el despachador está bloqueado.



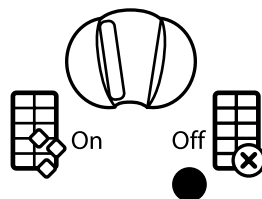
Fábrica de hielo y depósito

- Deje transcurrir 24 horas para la producción del primer lote de hielo. Deshágase de los tres primeros lotes de hielo producidos.
- La calidad del hielo dependerá de la calidad del agua que suministre a su fábrica de hielo. Evite la conexión de la fábrica de hielo a un suministro de agua blanda. Las sustancias químicas utilizadas para ablandar el agua (como la sal) pueden dañar ciertos componentes de la fábrica de hielo y producir un hielo de muy baja calidad. Si no se puede evitar el uso de un suministro de agua blanda, asegúrese de que el ablandador de agua esté funcionando correctamente y que goce de un buen mantenimiento.
- No use instrumentos afilados para romper el hielo en el depósito. Esto puede dañar el recipiente para el hielo y el mecanismo de despachado.
- No guarde nada encima ni dentro de la fábrica de hielo ni del depósito.

Estilo 1

Para encender y apagar la fábrica de hielo:

El interruptor de On/Off (Encendido/Apagado) es accesible sólo cuando se ha quitado el depósito de hielo. El interruptor está ubicado en la puerta del congelador, en el lado izquierdo de la pared alrededor del depósito de hielo. Vea la siguiente sección para obtener instrucciones para quitarlo.



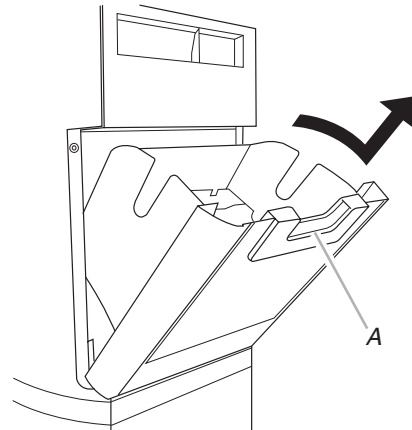
Ice Maker Control

- Para poner a funcionar la fábrica de hielo, deslice el control a la posición de ON (ENCENDIDO - hacia la izquierda).
- Para apagar la fábrica de hielo manualmente, deslice el control a la posición de OFF (APAGADO - hacia la derecha).

NOTA: La fábrica de hielo tiene un apagado automático para evitar que el depósito se sobrellene durante el funcionamiento normal. Los sensores de la fábrica de hielo detendrán automáticamente la producción de hielo pero el control permanecerá en la posición de ON (ENCENDIDO - hacia la izquierda).

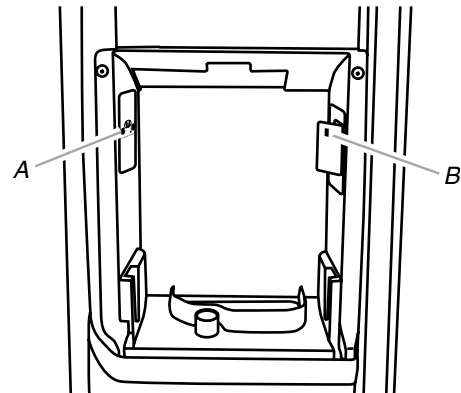
Cómo quitar y volver a colocar el depósito de hielo:

1. Presione hacia abajo para liberar la palanca e inclinar la cubeta hacia fuera. Use ambas manos para sujetar la base del depósito, luego levántelo y sáquelo.



A. Palanca de liberación

NOTA: No es necesario girar el control de la fábrica de hielo a la posición de OFF (APAGADO - hacia la derecha) cuando quite el depósito. La cubierta con sensor (“puerta abatible”), ubicada en la pared derecha de la puerta del congelador, hace que la fábrica de hielo deje de producir hielo si la puerta está abierta o se ha quitado el depósito.



A. Interruptor de On/Off (Encendido/Apagado)
B. Cubierta del sensor

2. Vuelva a colocar el recipiente deslizando en la puerta e incliniéndolo nuevamente hasta quedar en posición vertical. La palanca de liberación hará un chasquido cuando el recipiente esté asegurado en su lugar.

Estilo 2

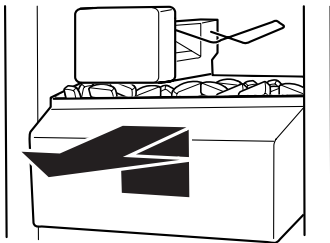
Para encender y apagar la fábrica de hielo:

- Para poner a funcionar (ON) la fábrica de hielo, sencillamente baje el brazo de control de alambre.
- Para apagar la fábrica de hielo manualmente, levante el brazo de control de alambre a la posición de OFF (APAGADO - brazo elevado) y escuche el chasquido. Aún se puede sacar hielo del despachador pero no se puede hacer más.

NOTA: La fábrica de hielo tiene un apagado automático para evitar que el depósito se sobrellene durante el funcionamiento normal. A medida que se produce el hielo, los cubitos de hielo llenarán el depósito para hielo, y éstos levantarán el brazo de control de alambre a la posición de OFF (APAGADO - brazo elevado). No fuerce el brazo de control de alambre hacia arriba o hacia abajo.

Cómo quitar y volver a colocar el depósito de hielo:

1. Jale el panel que cubre el depósito hacia arriba por la parte inferior.
2. Levante el brazo de control de alambre de manera que enganche en la posición OFF (APAGADO - brazo elevado).
3. Levante y jale de la parte delantera del depósito de hielo para sacarlo.



4. Vuelva a colocar el depósito empujándolo hasta el fondo o el despachador de hielo no funcionará.
5. Para reiniciar la producción de hielo, empuje el brazo de control de alambre hacia abajo, a la posición ON (ENCENDIDO). Cerciórese de que la puerta esté bien cerrada.

Sistema de filtración de agua

No use con agua que no sea microbiológicamente segura o que sea de calidad desconocida sin desinfectarla adecuadamente antes o después del sistema. Pueden usarse sistemas certificados para la reducción de quistes en aguas desinfectadas que puedan contener quistes filtrables.

Luz de estado del filtro de agua

La luz de estado del filtro de agua le ayudará a saber cuándo cambiar el filtro de agua.

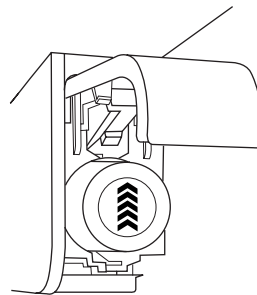
- Cuando la pantalla de estado del filtro de agua del panel de control del despachador cambie a "ORDER" (PEDIR), esto le dirá que es casi tiempo de cambiar el cartucho del filtro de agua.
- Reemplace el cartucho del filtro de agua cuando la pantalla de estado del filtro de agua cambie a "REPLACE" (REEMPLAZAR).

NOTA: Si el flujo de agua a su despachador de agua o fábrica de hielo disminuye notoriamente, cambie el filtro más pronto. Se debe reemplazar el filtro al menos una vez cada 6 meses según la calidad del agua y el uso.

Cómo reajustar el estado del filtro

- Después de cambiar el filtro de agua, reajuste la luz de estado presionando y sosteniendo el botón de FILTER (FILTRO) durante 3 segundos. Cuando se haya reajustado el sistema, los íconos de "ORDER" (PEDIR) y "REPLACE" (REEMPLAZAR) desaparecerán de la pantalla.

Cómo cambiar el filtro de agua



1. Ubique el filtro de agua que está ubicado en la esquina superior derecha del compartimiento del refrigerador.
2. Levante la puerta de protección del filtro para abrirla. El filtro se liberará y saldrá al mismo tiempo que se abre la puerta.
3. Cuando la puerta se haya abierto por completo, jale el filtro hacia fuera.

NOTA: Es posible que quede agua en el filtro. Es posible que se derrame un poco de esa agua. Use una toalla para secar cualquier derrame.

4. Saque el filtro nuevo de su empaque y quite las cubiertas de los anillos en O. Asegúrese de que los anillos en O sigan en su lugar después de que se quitaron las cubiertas.
5. Con la flecha mirando hacia arriba, alinee el nuevo filtro con el alojamiento del filtro y deslícelo en su lugar. La puerta de protección del filtro comenzará a cerrarse automáticamente a medida que se inserta el nuevo filtro.
6. Cierre por completo la puerta de protección del filtro para que el mismo encaje en su lugar. Tal vez necesite presionar con fuerza.
7. Enjuague el sistema de agua. Vea "Despachadores de agua y hielo".

CUIDADO DEL REFRIGERADOR

Limpieza

! ADVERTENCIA



Peligro de explosión

Use un limpiador no inflamable.

No seguir esta instrucción puede ocasionar la muerte, explosión o incendio.

Tanto la sección del refrigerador como la del congelador se descongelan automáticamente. No obstante, limpie ambas secciones más o menos una vez al mes para evitar la acumulación de olores. Limpie los derrames de inmediato.

IMPORTANTE: Debido a que el aire circula entre ambas secciones, cualquier olor que se forma en una sección pasará a la otra. Debe limpiar meticulosamente ambas secciones para eliminar olores. Para evitar la transferencia de olores y la deshidratación de los alimentos, envuelva o tape bien los alimentos.

Para limpiar su refrigerador:

NOTA: No use productos de limpieza abrasivos o ásperos, como aerosoles para ventanas, productos de limpieza para pulir, líquidos inflamables, ceras para limpieza, detergentes concentrados, blanqueadores o productos de limpieza que contengan productos de petróleo en las partes de plástico, revestimientos interiores y de la puerta o juntas. No use toallas de papel, estropajos para fregar u otros utensilios de limpieza ásperos.

1. Desenchufe el refrigerador o desconecte el suministro de energía.
2. Lave a mano, enjuague y seque todas las partes desmontables y las superficies interiores meticulosamente. Use una esponja limpia o un paño liso y un detergente suave en agua tibia.
3. Lave las superficies externas metálicas pintadas y de acero inoxidable con una esponja limpia o un paño liso y detergente suave con agua tibia.
4. Una limpieza rutinaria del condensador no es necesaria en ambientes normales de operación en el hogar. Si el ambiente es particularmente grasoso o polvoriento, o si hay bastante tránsito de mascotas en el hogar, el condensador deberá limpiarse cada 2 ó 3 meses para asegurar la máxima eficacia.

Si necesita limpiar el condensador:

- Quite la rejilla de la base. Vea las instrucciones de “Cómo quitar las puertas”, ya sea en las Instrucciones para el usuario o las Instrucciones de instalación y Manual del propietario, o en la hoja de instrucciones separada que viene con su refrigerador.
 - Use una aspiradora con un cepillo suave para limpiar la rejilla, las áreas abiertas detrás de la rejilla y la superficie frontal del condensador.
 - Vuelva a colocar la rejilla de la base cuando termine.
5. Enchufe el refrigerador o reconecte el suministro de energía.

Luces

NOTA: No todos los focos son adecuados para su refrigerador. Asegúrese de reemplazar el foco con otro del mismo tamaño, forma y vataje. Puede conseguir los focos con su distribuidor.

- Las luces del despachador son LEDs y no se pueden cambiar.
 - En algunos modelos, las luces interiores son LEDs que no pueden cambiarse.
 - En algunos modelos, las luces interiores necesitan un foco de 40-watios (como máximo).
1. Desenchufe el refrigerador o desconecte el suministro de energía.
 2. Si se indica, quite la pantalla de la luz.
NOTA: Para limpiar la pantalla de la luz, lávela con agua tibia y un detergente líquido. Enjuague y seque la pantalla meticulosamente.
 3. Quite el foco y reemplácelo con uno del mismo tamaño, forma y vataje (40 vatios como máximo).
 4. Si se indica, vuelva a colocar la pantalla de la luz.
 5. Enchufe el refrigerador o reconecte el suministro de energía.

SOLUCIÓN DE PROBLEMAS

En primer lugar, pruebe las soluciones sugeridas aquí o visite nuestro sitio de internet, para evitar posiblemente el costo de una visita de servicio técnico.

⚠ ADVERTENCIA



Peligro de descarga eléctrica

Enchufe en un contacto con conexión a tierra.

No quite la terminal de conexión a tierra.

No use un adaptador.

No use un cable eléctrico de extensión.

No seguir estas instrucciones puede ocasionar la muerte, incendio o descarga eléctrica.

FUNCIONAMIENTO EN GENERAL

Causas posibles y/o soluciones recomendadas

El refrigerador no funciona

- **No está conectado a un suministro eléctrico** - Enchufe el cable eléctrico en un contacto (con conexión a tierra). No use un cable eléctrico de extensión.
- **No hay electricidad en el contacto eléctrico** - Enchufe una lámpara para ver si funciona el contacto.
- **Hay un fusible de la casa fundido o se disparó el cortacircuitos** - Reemplace el fusible o reconecte el cortacircuitos. Si el problema continúa, contacte a un electricista autorizado.
- **No está encendido el control o el enfriamiento** - Encienda el control del refrigerador o el enfriamiento. Vea "Uso de los controles".
- **Nueva instalación** - Luego de la instalación, deje que transcurran 24 horas para que el refrigerador y el congelador se enfríen por completo.

NOTA: El ajustar el (los) control(es) de temperatura hacia la posición más fría no hará que el compartimiento (ya sea el refrigerador o el congelador) enfríe más rápido.

El motor parece funcionar excesivamente

- **Su nuevo refrigerador tiene un motor con ahorro de energía** - Es posible que el refrigerador funcione por más tiempo de lo que usted está acostumbrado, ya que el compresor y los ventiladores funcionan a velocidades más bajas que ahorran más energía. Esto es normal.

NOTA: Es posible que el refrigerador funcione por más tiempo si la habitación está caliente, si se ha agregado una gran cantidad de alimentos, si se abren las puertas con frecuencia o si se ha dejado una puerta abierta.

**FUNCIONAMIENTO
EN GENERAL****Causas posibles y/o soluciones recomendadas**

El refrigerador parece ruidoso

El compresor de su nuevo refrigerador regula la temperatura con más eficacia y usa menos energía que los modelos anteriores. Durante varias etapas del funcionamiento, es posible que escuche sonidos de funcionamiento normal que no le son familiares.

Los ruidos que se indican a continuación son normales:

- **Zumbido/Chasquido** - Se escucha cuando la válvula de agua se abre y se cierra para despachar agua o llenar la fábrica de hielo. Si el refrigerador está conectado a una línea de agua, esto es normal. Si el refrigerador no está conectado a una línea de agua, apague la fábrica de hielo.
- **Crujidos/Estrépitos** - Se escuchan cuando el hielo es expulsado del molde de la fábrica de hielo.
- **Estallido** - Se escucha cuando las paredes interiores se contraen y se expanden, especialmente durante el enfriamiento inicial.
- **Pulsaciones/Runruneos** - Se escuchan cuando los ventiladores/el compresor se ajustan para mejorar el rendimiento durante el funcionamiento normal.
- **Vibraciones** - Se escuchan cuando el agua pasa a través de la línea de agua o debido al flujo de refrigerante. Las vibraciones también pueden ser ocasionadas por los artículos colocados sobre el refrigerador.
- **Agua corriendo o gorgoteo** - Se escucha cuando el hielo se derrite durante el ciclo de descongelación y el agua corre hacia la bandeja recolectora.
- **Chisporroteos** - Se escuchan cuando el agua gotea sobre el calentador durante el ciclo de descongelación.

La temperatura está demasiado elevada

- **Nueva instalación** - Luego de la instalación, deje que transcurran 24 horas para que el refrigerador y el congelador se enfríen por completo.
NOTA: El ajustar el (los) control(es) de temperatura hacia la posición más fría no hará que el compartimiento (ya sea el refrigerador o el congelador) enfríe más rápido.
- **Se abren las puertas a menudo o no se cierran por completo** - Esto hace que entre aire tibio al refrigerador. Reduzca al mínimo las veces que abre la puerta, mantenga las puertas cerradas por completo y cerciórese de que ambas puertas estén bien cerradas.
- **Están bloqueados los orificios de ventilación** - Quite los artículos que están justo frente a los orificios de ventilación.
- **Se ha agregado recientemente una gran cantidad de alimentos calientes** - Deje que transcurran varias horas para que el refrigerador vuelva a la temperatura normal.
- **No se han ajustado los controles correctamente de acuerdo con las condiciones circundantes** - Regule los controles a un ajuste más frío. Fijese nuevamente en la temperatura en 24 horas.

La temperatura está demasiado baja

- **No se han ajustado los controles correctamente de acuerdo con las condiciones circundantes** - Regule los controles a un ajuste más caliente. Fijese nuevamente en la temperatura en 24 horas.
- **El estante superior del refrigerador está más frío que los estantes inferiores** - En algunos modelos, el aire del congelador entra en el compartimento del refrigerador a través de los orificios de ventilación, que se encuentran cerca del estante superior del refrigerador. A consecuencia de esto, el estante superior puede estar ligeramente más frío que los estantes inferiores.
- **Están bloqueados los orificios de ventilación** - Quite los artículos que están justo frente a los orificios de ventilación.

Hay acumulación de humedad en el interior

- NOTA:** Cierta acumulación de humedad es normal. Seque con un paño suave.
- **Está húmeda la habitación** - Un ambiente húmedo contribuye a que se acumule la humedad. Solamente use el refrigerador en el interior del hogar, con el mínimo posible de humedad.
 - **Se abren las puertas a menudo o no se cierran por completo** - Esto hace que entre aire húmedo al refrigerador. Reduzca al mínimo las veces que abre la puerta, mantenga las puertas cerradas por completo y cerciórese de que ambas puertas estén bien cerradas.

FUNCIONAMIENTO EN GENERAL

Causas posibles y/o soluciones recomendadas

Las luces interiores no funcionan

- **Las puertas han estado abiertas por un tiempo prolongado** - Cierre las puertas para volver a fijar las luces.
- **Hay un foco flojo o quemado** - En los modelos con focos interiores incandescentes, apriete el foco o reemplácelo. Vea "Luces".

NOTA: En los modelos con luces LED, llame para solicitar ayuda o servicio técnico si las luces interiores no se encienden cuando se abre alguna puerta.

Las luces del despachador no funcionan (en algunos modelos)

- **Se ha apagado la luz del despachador** - En algunos modelos, si la luz del despachador se ha fijado en OFF (APAGADO), se encenderá solamente cuando se presione la almohadilla/palanca del despachador. Si usted desea que la luz del despachador esté encendida continuamente, seleccione un ajuste diferente. Vea "Despachadores de agua y hielo".
- **Se ha fijado la luz del despachador en AUTO (AUTOMÁTICO) o NIGHT LIGHT (LUZ NOCTURNA)** - En algunos modelos, si la luz del despachador se ha fijado en AUTO (AUTOMÁTICO) o NIGHT LIGHT (LUZ NOCTURNA), cerciórese de que no esté bloqueado el sensor de luz. Vea "Despachadores de agua y hielo".

NOTA: En los modelos con luces LED, llame para solicitar ayuda o servicio técnico si las luces del despachador no funcionan correctamente.



PUERTAS Y NIVELACIÓN

Causas posibles y/o soluciones recomendadas

Es difícil abrir las puertas

- **Las juntas están sucias o pegajosas** - Limpie las juntas y las superficies de contacto con jabón suave y agua tibia. Enjuague y seque con un paño suave.

La puerta no cierra completamente

- **La puerta queda abierta debido a un bloqueo** - Aleje los paquetes de alimentos de la puerta. Cerciórese de que todos los recipientes y estantes estén en su posición correcta. Asegúrese de que se hayan quitado todos los materiales de empaque.

Las puertas parecen estar desaparejas

- **Las puertas necesitan alinearse o el refrigerador necesita ser nivelado** - Vea las instrucciones para la nivelación y alineamiento de la puerta.

El refrigerador se tambalea y no está estable

- **El refrigerador no está nivelado** - Para estabilizar el refrigerador, quite la rejilla de la base y baje las patas niveladoras hasta que toquen el piso. Vea las instrucciones para la nivelación y alineamiento de la puerta.

! ADVERTENCIA



Peligro de cortaduras

Use un vaso resistente para recibir hielo del despachador.

No seguir esta instrucción puede ocasionar cortaduras.

HIELO Y AGUA (en algunos modelos)

Causas posibles y/o soluciones recomendadas

La fábrica de hielo no produce hielo, no produce suficiente hielo o produce hielo pequeño o hueco

- **El refrigerador no está conectado a un suministro de agua, la válvula de cierre de suministro de agua no está abierta por completo** - Conecte el refrigerador a un suministro de agua y cerciórese de que la válvula de cierre de agua esté completamente abierta.
- **Hay un estrechamiento en la línea de suministro de agua** - Un estrechamiento en la línea de agua puede reducir el flujo de agua, ocasionando una disminución de la producción de hielo, cubos de hielo pequeños y/o huecos, o de forma irregular. Enderece la línea de agua.
- **No se ha encendido la fábrica de hielo** - Encienda la fábrica de hielo. Vea “Fábrica de hielo y depósito”.
- **Nueva instalación** - Después de haber conectado el refrigerador a un suministro de agua, enjuague el sistema de agua. (Vea “Despachadores de agua y hielo”). Deje transcurrir 24 horas para que la fábrica de hielo comience a producir hielo. Deje transcurrir 72 horas para la producción total de hielo. Deshágase de los tres primeros lotes de hielo producidos.
- **Se acaba de sacar una gran cantidad de hielo** - Deje transcurrir suficiente tiempo para que la fábrica de hielo produzca más hielo.
- **Se trabó el hielo en el brazo eyector de la fábrica de hielo** - Saque el hielo del brazo eyector con un utensilio de plástico.
- **Presión inadecuada de agua** - Verifique que la casa tenga una presión de agua adecuada. Vea “Requisitos del suministro de agua”.
- **Filtro de agua instalado de modo incorrecto** - Cerciórese de que el filtro esté instalado correctamente. Vea “Sistema de filtración de agua”.
- **Se ha conectado un sistema de filtración de agua de ósmosis inversa al suministro de agua fría** - Esto puede hacer que disminuya la presión de agua. Vea “Requisitos del suministro de agua”.

NOTA: Si aún tiene preguntas acerca de la presión de agua, llame a un plomero competente autorizado.

El despachador de hielo no funciona debidamente

- **Las puertas no se cierran por completo** - Cerciórese de que ambas puertas estén firmemente cerradas. (En algunos modelos, deberá cerrarse solamente la puerta del congelador para poner en marcha el despachador).
- **Nueva instalación** - Después de haber conectado el refrigerador a un suministro de agua, enjuague el sistema de agua. (Vea “Despachadores de agua y hielo”). Deje transcurrir 24 horas para que la fábrica de hielo comience a producir hielo. Deje transcurrir 72 horas para la producción total de hielo. Deshágase de los tres primeros lotes de hielo producidos.
- **No está encendida la fábrica de hielo, o no se ha instalado correctamente el depósito de hielo** - Encienda la fábrica de hielo y cerciórese de que el depósito de hielo esté firme en su lugar. Vea “Fábrica de hielo y depósito”.
- **Se ha atascado el hielo en el depósito de hielo o el mismo está bloqueando el conducto de salida de hielo** - Saque el hielo que está atascado utilizando un utensilio de plástico, si es necesario. Limpie el conducto de salida de hielo y la base del depósito de hielo con un paño humedecido con agua tibia; luego seque ambos meticulosamente. Para evitar que se atasquen y mantener un suministro fresco de hielo, vacíe el depósito y limpie el depósito y el conducto de salida cada 2 semanas.
- **Se ha agregado hielo incorrecto en el depósito** - Use únicamente el hielo producido por su fábrica de hielo actual.
- **El depósito está bloqueado** - Desbloquee el depósito. Vea “Despachadores de agua y hielo”.
- **El despachador de hielo se atasca mientras vierte hielo picado** - Para los modelos con el depósito de hielo en la puerta, cambie temporalmente de hielo triturado a hielo en cubos para despejar el depósito de hielo.
- **Se ha presionado la almohadilla/palanca del despachador por demasiado tiempo** - El hielo dejará de despacharse automáticamente. Espere unos minutos para que el despachador se restablezca y vuelva a usarlo. Saque grandes cantidades de hielo directamente del depósito de hielo, y no a través del despachador.
- **La presión de agua a la casa está por debajo de 30 lb/pulg² (207 kPa)** - La presión de agua a la casa afectará el flujo del despachador. Vea “Requisitos del suministro de agua”.
- **El filtro de agua está obstruido o instalado incorrectamente** - Reemplace el filtro o vuelva a instalarlo correctamente. Vea “Sistema de filtración de agua”.

El hielo tiene mal sabor, olor o un color grisáceo

- **Son nuevas las conexiones de plomería** - Las conexiones nuevas de plomería pueden producir hielo o agua descoloridos o de mal sabor. Este problema desaparecerá con el correr del tiempo.
- **Se ha guardado el hielo por demasiado tiempo** - Deseche el hielo y lave el depósito de hielo. Deje transcurrir 24 horas para que la fábrica de hielo produzca hielo nuevo.
- **Se ha transferido al hielo el olor de los alimentos** - Use recipientes herméticos contra humedad para almacenar alimentos.
- **Uso de una línea de suministro de agua no recomendada** - Es posible que se transfiera olor y gusto de ciertos materiales usados en tuberías de suministro de agua no recomendadas. Use solamente una línea recomendada de suministro de agua. Vea “Requisitos del suministro de agua”.
- **El agua contiene minerales (como el azufre)** - Podría ser necesario instalar un filtro de agua para eliminar los minerales.
- **Se ha instalado o reemplazado recientemente el filtro de agua** - Un descoloramiento o un color gris del hielo o el agua indican que el sistema de filtración de agua necesita enjuagarse más. Vea “Despachadores de agua y hielo”.

HIELO Y AGUA (en algunos modelos)**Causas posibles y/o soluciones recomendadas**

El despachador de agua no funciona debidamente

- **Las puertas no se cierran por completo** - Cerciórese de que ambas puertas estén firmemente cerradas. (En algunos modelos, deberá cerrarse solamente la puerta del congelador para poner en marcha el despachador).
- **El refrigerador no está conectado a un suministro de agua, o la válvula de cierre de suministro de agua no está abierta** - Conecte el refrigerador a un suministro de agua y cerciúrese de que la válvula de cierre de agua esté completamente abierta.
- **Hay un estrechamiento en la línea de suministro de agua** - Un estrechamiento en la línea puede reducir el flujo de agua al despachador. Enderece la línea de agua.
- **La presión de agua a la casa está por debajo de 30 lb/pulg² (207 kPa)** - La presión de agua a la casa afectará el flujo del despachador. Vea “Requisitos del suministro de agua”.
- **Nueva instalación** - Después de haber conectado el refrigerador a un suministro de agua, enjuague el sistema de agua. Vea “Despachadores de agua y hielo”.
- **El depósito está bloqueado** - Desbloquee el depósito. Vea “Despachadores de agua y hielo”.
- **El filtro de agua está obstruido o instalado incorrectamente** - Reemplace el filtro o vuelva a instalarlo correctamente. Vea “Sistema de filtración de agua”.
- **Se ha conectado un sistema de filtración de agua de ósmosis inversa al suministro de agua fría** - Esto puede hacer que disminuya la presión de agua. Vea “Requisitos del suministro de agua”.

NOTA: Si aún tiene preguntas acerca de la presión de agua, llame a un plomero competente autorizado.

Hay fugas de agua o goteos en el sistema del despachador

NOTA: Es normal que haya algunas gotas de agua después de despachar agua.

- **No se ha puesto el vaso debajo del despachador el tiempo suficiente** - Sostenga el vaso debajo del despachador por 2 a 3 segundos después de soltar la almohadilla/palanca del despachador.
 - **Es nueva la instalación o se ha instalado o reemplazado recientemente el filtro de agua** - El aire en las líneas de agua hará que gotee agua del despachador. Enjuague el sistema de agua para quitar el aire que se encuentra en las líneas de agua. Vea “Despachadores de agua y hielo”.
 - **Se están derritiendo los restos de hielo en el conducto del depósito** - Cerciúrese de que el conducto de hielo esté libre de raspados o pedazos de hielo.
-

Hay fugas de agua de la parte trasera del refrigerador

- **Las conexiones de la línea de agua no están ajustadas por completo** - Cerciúrese de que todas las conexiones estén firmemente ajustadas. Vea “Conexión del suministro de agua”.
-

El agua del despachador no está lo suficientemente fría

NOTA: En algunos modelos, el agua del despachador se enfría a 50 °F (10 °C).

- **Nueva instalación** - Deje transcurrir 24 horas después de la instalación para que el suministro de agua se enfríe completamente.
 - **Se ha despachado una gran cantidad de agua recientemente** - Deje transcurrir 24 horas para que el nuevo suministro de agua se enfríe por completo.
 - **No se ha usado el despachador de agua recientemente** - Puede ser que el primer vaso de agua no esté frío. Descarte el agua del primer vaso.
 - **El refrigerador no está conectado a una tubería de agua fría** - Asegúrese de que el refrigerador esté conectado a una tubería de agua fría. Vea “Requisitos del suministro de agua”.
-

ACCESORIOS

Para ordenar accesorios, póngase en contacto con el distribuidor en donde compró su refrigerador y solicite el número de pieza apropiado que se detalla a continuación.

Limpiador de acero inoxidable:

Pieza N° 4396095

Filtros de reemplazo:

No use con agua que no sea microbiológicamente segura o que sea de calidad desconocida sin desinfectarla adecuadamente antes o después del sistema. Pueden usarse sistemas certificados para la reducción de quistes en aguas desinfectadas que puedan contener quistes filtrables.

Filtro de agua interior:

Pieza número W10295370 (P4RFWB)

Filtro de aire:

Pieza número W10311524

AYUDA O SERVICIO TÉCNICO

Antes de solicitar ayuda o servicio técnico, por favor consulte la sección "Solución de problemas". Esto le podría ahorrar el costo de una visita de servicio técnico.

Si aún requiere ayuda, póngase en contacto con el distribuidor en donde compró su refrigerador.

Si necesita piezas de repuesto

Busque piezas de repuesto de buena calidad toda vez que necesite una pieza de repuesto para su refrigerador.

Para encontrar piezas de repuesto especificadas de fábrica en su localidad, llame al distribuidor en donde compró el refrigerador.

Garantía

Para obtener información acerca de la garantía, póngase en contacto con el distribuidor en donde compró el refrigerador.

Guarde este libro y su comprobante de compra juntos para referencia futura. Usted deberá proporcionar el comprobante de la compra o la fecha de instalación para obtener servicio bajo la garantía.

Escriba la siguiente información acerca de su electrodoméstico para ayudarlo a obtener ayuda o servicio técnico si alguna vez llegara a necesitarlo. Deberá tener a mano el número completo del modelo y de la serie. Puede encontrar esta información en la etiqueta con el número de modelo y de serie que está ubicada en la pared interior del compartimiento del refrigerador.

Nombre del distribuidor _____

Número de serie _____

Dirección _____

Número de teléfono _____

Número de modelo _____

Fecha de compra _____

